



• MDF • INS. BOARD • PELLETS • WASTE • LIME



HAMMERMILLS

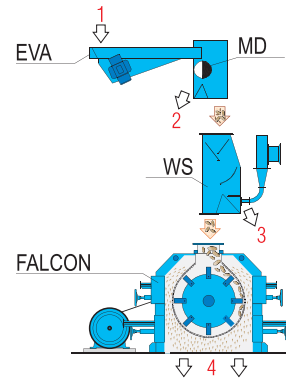
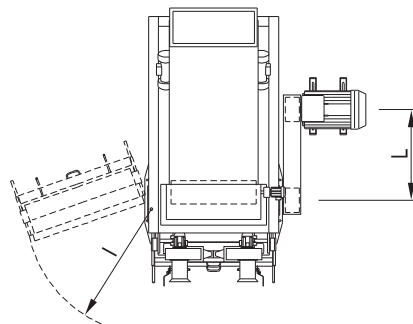
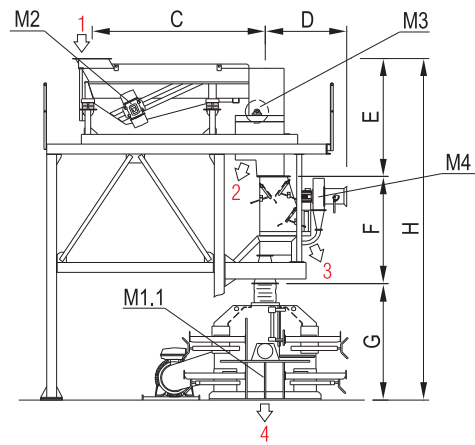
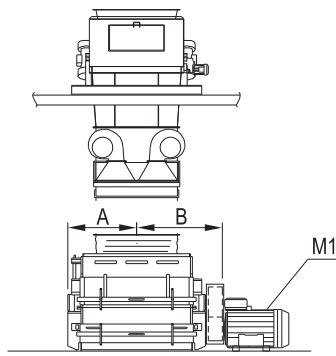
HAMMERMILLS – FALCON

TECHNICAL FEATURES

• Secure optimum size reduction of different type of biomass and products • High efficiency Hammermills family thanks to the right combination of hammers, speed, nets, correct negative pressure values and a proper feeding system • Special design to refine both fresh and recycling chips • Rotor with theories of easily replaceable hammers • Special hammers and impact segments protected against wear • Fast replacement of perforated screens • Large screen area • Feeding provided with protection devices to reject heavy pollutants.

BENEFITS

• Quality particles from fresh or recycled chips • High efficiency • High reliability • Minimized maintenance costs • Low specific energy consumption.



1= INFEED MATERIAL
2= FERROUS POLLUTANTS
3= HEAVY POLLUTANTS

4= HAMMERMILLED PARTICLES
M1= MAIN MOTOR
M1.1= HYDRAULIC UNIT

M2= VIBRATING FEEDER
M3= MAGNETIC DRUM
M4= WIND SELECTOR



1

4

MODEL	OVERALL DIMENSIONS mm									
	A	B	C	D	E	F	G	H	I	L
FALCON 50/50	472	677	-	-	-	-	950	-	900	-
FALCON 105/85.EVA.MD.WS	677	860	2470	1505	2173	2072	1660	5905	1667	1839
FALCON 105/120.EVA.MD.WS	830	990	2470	1505	2173	2072	1660	5905	1667	2043
FALCON 125/195.EVA.MD.WS	1270	1584	3200	1505	2173	2017	2230	6420	2500	1672
FALCON 180/200.EVA.MD.WS	1407	1690	2682	1573	2661	2318	2740	7719	1120	2482

MODEL	CAPACITY* CHIPS & MICRO-CHIPS t/h	INSTALLED POWER kW					WEIGHT APPROX. kg	
		M1*	M1.1	M2	M3	M4	STANDARD	OPTIONS
FALCON 50/50	1 - 2	22 - 37	-	-	-	-	1025	-
FALCON 105/85.EVA.MD.WS	4 - 7	132 - 160	-	2 x 0,9	1,5	2,2	4500	2000
FALCON 105/120.EVA.MD.WS	7 - 8	200 - 250	-	2 x 0,9	1,5	2,2	5500	2300
FALCON 125/195.EVA.MD.WS	11 - 12	250 - 315	-	2 x 1,3	1,5	2 x 2,2	8800	3370
FALCON 180/200.EVA.MD.WS	14 - 16	400 - 630	0,75	2 x 3,0	1,5	2 x 4,0	16500	5000

*According to type of material, moisture content and mesh size of perforated screens.

MODEL	AUXILIARY SUCTION for MECHANICAL DISCHARGE			AUXILIARY SUCTION for 100% PNEUMATIC DISCHARGE		
	SUCTION m ³ /h	AIR SPEED m/s	SUCTION PRESSURE Pa	SUCTION m ³ /h	AIR SPEED m/s	SUCTION PRESSURE Pa
FALCON 50/50	2000	29	1000	10000	29	1000
FALCON 105/85.EVA.MD.WS	7000	29	1000	30000	29	1000
FALCON 105/120.EVA.MD.WS	10000	29	1000	38000	29	1000
FALCON 125/195.EVA.MD.WS	16000	29	1000	50000	29	1000
FALCON 180/200.EVA.MD.WS	20000	29	1000	64000	29	1000