



• MDF • PB • INS. BOARD • PALLET BLOCKS • PELLETS • WASTE • LIME



## FERROUS METALS REMOVERS

### **ELECTROMAGNETIC DRUMS – MD.EL**

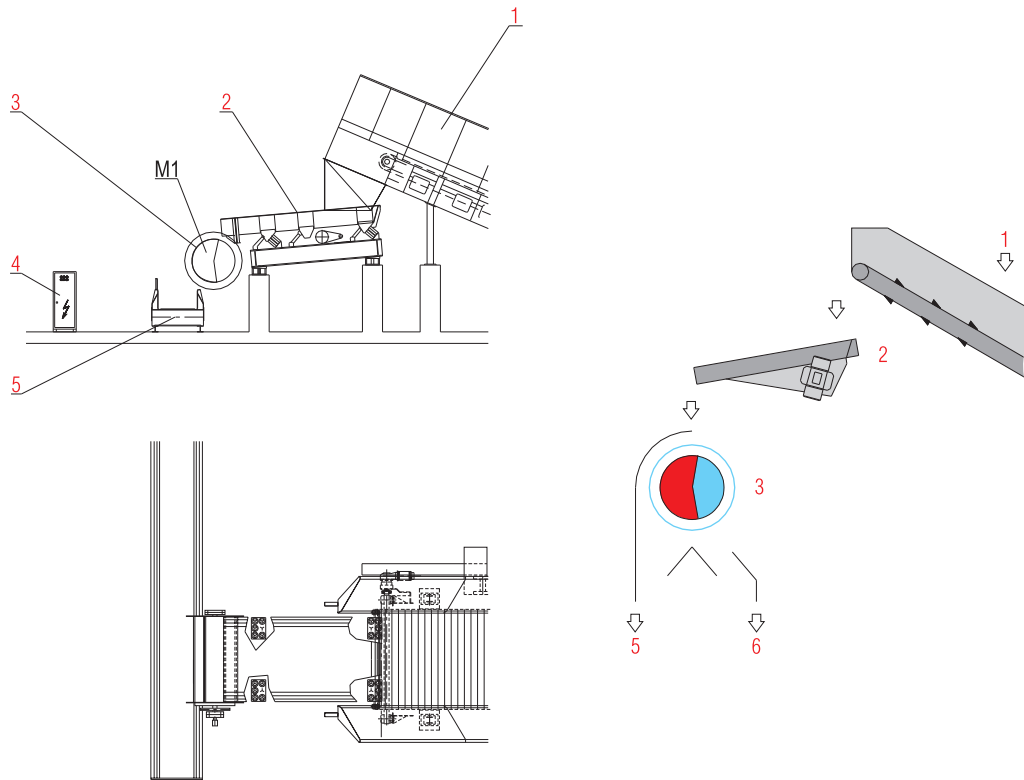
FOR BULKY OR PRE-CRUSHED RECYCLED WOOD

#### **TECHNICAL FEATURES**

• Front shaft fitted with direct transmission • System for special applications • Big and extra-strong electromagnetic drum fitted with bearings and supports • Drive system.

#### **BENEFITS**

• Very high efficiency and reliability • Strong removal of ferrous pollutants (also huge pcs) from bulky or pre-crushed recycling wood, e.g. before pre-crusher, crusher or drum chipper • Simple installation • Low maintenance.



1= FEEDING

2= VIBRATING CHANNEL

3= ELECTROMAGNETIC DRUM

4= ELECTRIC CUBICLE

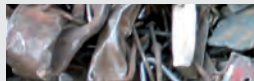
5= CLEAN CHIPS TO U-FEEDER OF CRUSHER

6= FERROUS METAL REMOVED

M1= MAGNETIC DRUM ROTATION



5



6

MODEL	CAPACITY BULKY STUFF m <sup>3</sup> /h	ELECTROMAGNETIC DRUM mm		INSTALLED POWER kW	ELECTRIC CUBICLE kW	WEIGHT APPROX. kg
		DIAM.	WIDTH	M1		
MD.1500x2500.MRD-EL	440	1500	2500	9,2	20	17000
MD.1500x3000.MRD-EL	530	1500	3000	9,2	20	19800