



• MDF • PB • INS. BOARD • PALLET BLOCKS • PELLETS



## CHIPS CLEANERS

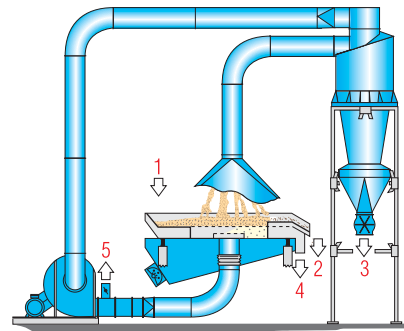
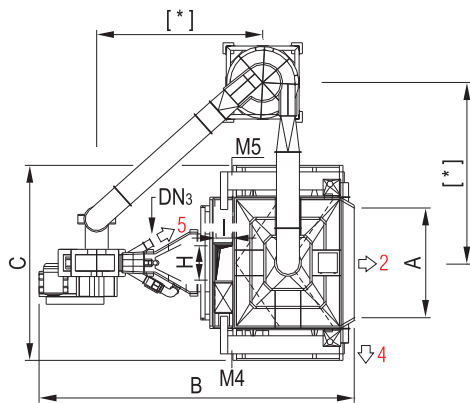
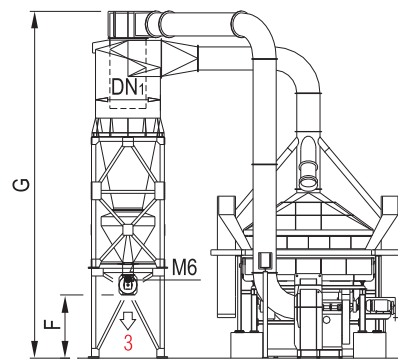
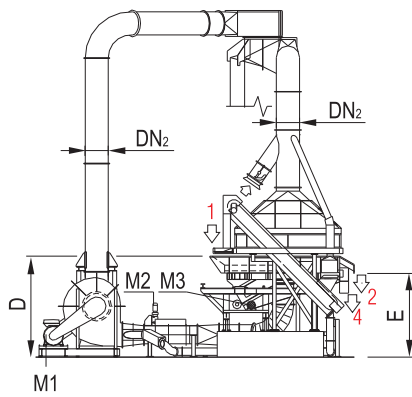
### DCC – DRY CLEANER FOR CHIPS

#### TECHNICAL FEATURES

- High-tech chip cleaning system suitable to remove every kind of heavy pollutants from the chips, i.e. sand, stones, minerals, etc.
- Special design for recycling-high polluted chips
- Cleaning chamber provided of perforated screens and front step to stop heavy pollutants
- Very strong oscillators for cleaning chamber
- High pressure pneumatic circuit provided of adjustable speed pulsator
- Special re-classifiers to separate the heavy pollutants from chip flow
- Suction hopper and cyclone in order to prevent pollution.

#### BENEFITS

- Removal of any type of heavy pollutants, i.e. sand, stones, minerals, etc.
- Unbeatable cleaning efficiency
- Dramatic reduction (up to 40-70%) of raw material cost using recycled chips
- Cost reduction till 50% for knives and wearing parts of knife ring flakers
- High reliability
- Very low maintenance cost
- Low energy consumption, i.e. 0,5-0,6 kW/m<sup>3</sup>/h of bulk chips
- Installation free from pollution.



FOR DRY MATERIAL ONLY:  
 1= POLLUTED CHIPS  
 2= CLEAN CHIPS

3= VOLATILE WOOD PARTICLES  
 4= HEAVY POLLUTANTS  
 5= EXHAUST AIR

M1= FAN DRIVE  
 M2= PULSATOR  
 M3= EXCITER

M4= RECYCLE BELT  
 M5= RECYCLE BELT  
 M6= ROTARY VALVE OUT



MODEL	OVERALL DIMENSIONS mm											
	A	B	C	D	E	F*	G*	H	I	DN <sub>1</sub>	DN <sub>2</sub>	DN <sub>3</sub>
<b>DCC 50 MC</b>	942	5965	3390	1932	1518	2287	7211	500	500	1120	450	150
<b>DCC 70 MC</b>	1524	7481	3550	2480	1981	1762	7909	700	500	1400	450	150
<b>DCC 100 MC</b>	2304	7590	4550	2697	2230	1750	8748	900	500	1600	500	1150
<b>DCC 150 MC</b>	3038	8725	5400	2800	2361	1750	9605	1000	500	1800	640	200
<b>DCC 250 MC</b>	3738	10588	6140	3300	2887	2186	11680	1200	500	2000	750	200

\*Dimensions according to needed layout

MODEL	CAPACITY BULK CHIPS m <sup>3</sup> /h	INSTALLED POWER kW								EXHAUST AIR m <sup>3</sup> /h	WEIGHT APPROX. kg
		M1	M2	M3	M4	M5	M6	TOTAL			
<b>DCC 50 MC</b>	40	37	0,75	4,0	0,75	-	1,5	44,00	2000	8090	
<b>DCC 70 MC</b>	60	45	0,75	7,5	0,75	0,75	1,5	56,25	2200	11500	
<b>DCC 100 MC</b>	90	55	0,75	15,0	0,75	0,75	1,5	73,75	2500	13710	
<b>DCC 150 MC</b>	130	75	0,75	15,0	0,75	0,75	1,5	93,75	4500	17000	
<b>DCC 250 MC</b>	180	132	1,10	22,0	0,75	0,75	1,5	158,10	4500	21000	