



• MDF • PB • PALLET BLOCKS



IMAL  
PAL  
GROUP

## WET CHIPS CLEANERS

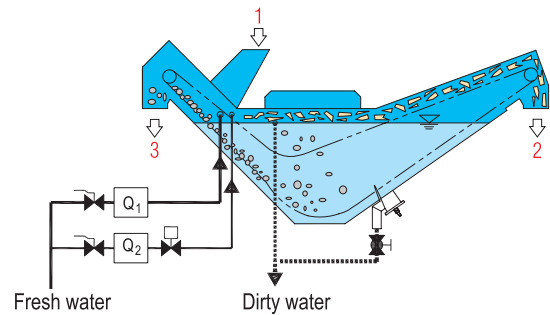
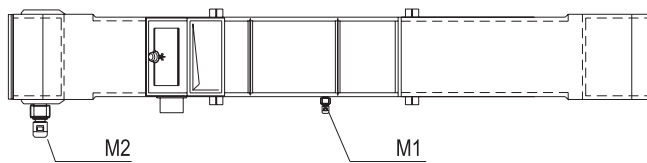
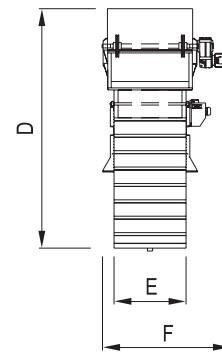
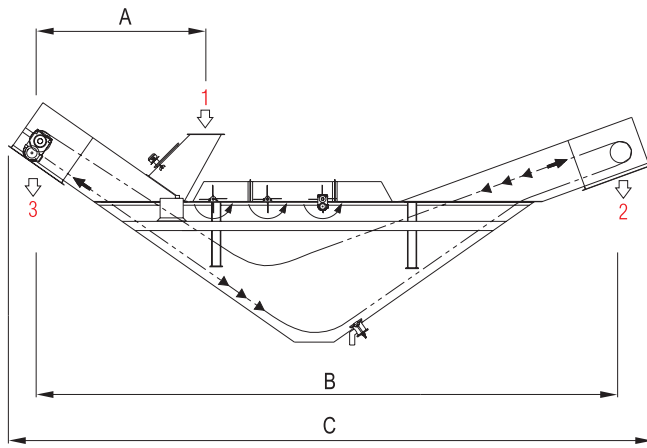
### WATER PIT

#### TECHNICAL FEATURES

• Wet cleaning system suitable to remove heavy pollutants out of the oversize chips • Working principle based on difference in bulk density of infeed materials • Chips flow is fed into a water pit where lighter materials float while the heavier pollutants such as stones, metals, etc. fall down and are removed by a chain conveyor • On the opposite side the same conveyor removes the floating material, wood, etc. after draining.

#### BENEFITS

• Recovery of clean oversize chips to production • High reliability • Very low maintenance cost • Low energy consumption.



1= POLLUTED CHIPS  
2= CLEAN CHIPS

3= HEAVY POLLUTANTS  
Q1= FIRST FILLING WATER

Q2= COMPENSATION  
FILLING WATER

M1= GEAR MOTOR  
M2= GEAR MOTOR

MODEL	OVERALL DIMENSIONS mm					
	A	B	C	D	E	F
WP.850	2950	10100	11190	4157	850	1820
WP.1250	2950	10100	11190	4157	1250	2220
WP.1500	2950	10100	11190	4157	1500	2470

MODEL	CAPACITY BULK CHIPS		WATER CONSUMPTION l/min - top	INSTALLED POWER kW		WEIGHT APPROX. kg
	m <sup>3</sup> /h	t/h		M1	M2	
WP.850	17	2,5	30	1,1	2,2	6230
WP.1250	35	5,2	43	1,1	2,2	7300
WP.1500	42	6,2	51	1,1	2,2	8100

\*With bulk density 150 kg/m<sup>3</sup> b.d.