



• MDF • PB • OSB • PALLET BLOCKS • PELLETS • WASTE • LIME



OSCILLATING SCREENS

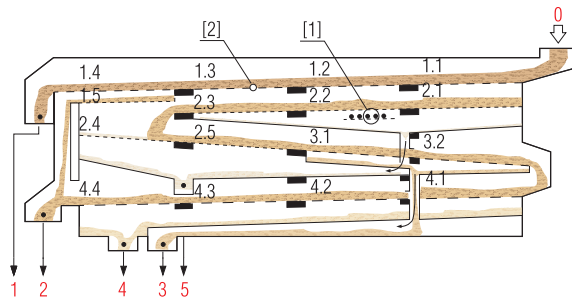
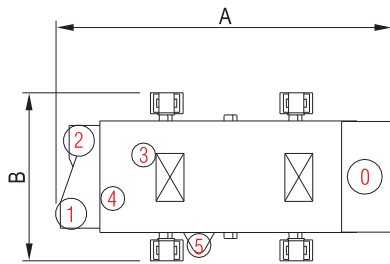
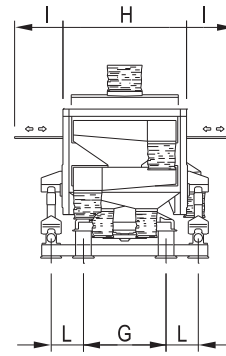
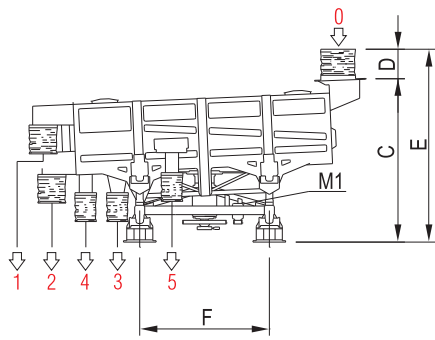
SCREENS

TECHNICAL FEATURES

• Robust and rigid supporting pyramids • High precision kinematics • Excellent elastic suspensions • High tech screening boxes assembled with high-quality materials and made with special tried and tested procedures • 1-2-4 Stage screens • 1-4 Screening decks per stage • 2-5 Fractions available • Stainless steel sieves and frames • Auto-cleaning system based on bouncing balls • Fire-extinguishing system • Explosion vents • Extensive eccentric oscillation • Perfect balancing!

BENEFITS

• Perfect-absolute classification of any fraction • Quick and easy replacement of the screening frames • Unbeatable performance, efficiency and reliability • 36 months mechanical warranty!



0= FEEDING
1...5= FRACTIONS

M1= SCREENING
BOX MOVEMENT

[1] AC: Auto-cleaning ball-bouncing system for screens available for all decks.
[2] A wide range of mesh sizes are available for any screening needs.

MULTICROSS 41-52

ZIG-ZAG SCREENS - 41-52 m² SCREENING SURFACE

MODEL	OVERALL DIMENSIONS mm										INSTALLED POWER kW	WEIGHT APPROX. kg
	A	B	C	D	E	F	G	H	I	L		
MULTICROSS 41-EJ	7730	3860	3830	600	4430	2980	1900	2560	1250	740	11	16600
MULTICROSS 52-EJ	7850	4300	3830	600	4430	3980	1900	3000	1500	960	15	17700