

• MDF • PB • OSB • INS. BOARD • PALLET BLOCKS • PELLETS

PAL

IMAL
PAL
GROUP

BARK REMOVERS FOR LOGS, SLABS & SAWMILL RESIDUES

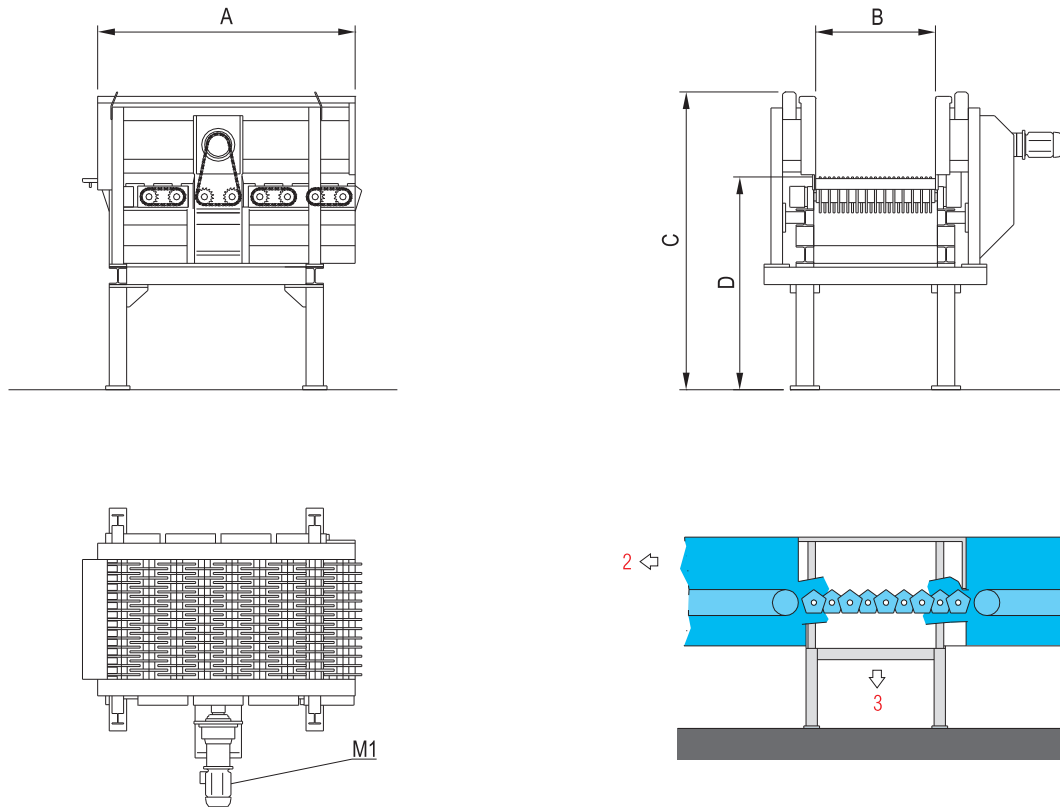
PENTADYN

TECHNICAL FEATURES

- Screening bed of shafts with spaced, interconnected disks
- Very strong screening disks with pentagonal section
- Supports, bearings and transmission system
- Working speed according to speed of chipping train
- Possibility of inverting flow direction when needed
- Side walls.

BENEFITS

- Possibility of feeding and fluidizing any type of wood logs
- Excellent realignment of the material
- Excellent removal of bark and heavy pollutants: better panels – low maintenance cost and long life of drum chipper knives
- Working speed according to speed of chipping train
- Minimized energy consumption
- Low maintenance cost.



1 = FEEDING
2 = DISCHARGE

3 = BARK REMOVED
M1 = MAIN MOTOR

MODEL	OVERALL DIMENSIONS mm			
	A	B*	C	D
PD.860/2700	2825	860	3025	2195
PD.1000/2700	2655	1000	3025	2195
PD.1235/2700	2655	1235	3025	2195
PD.1450/2700	2905	1450	3025	2195

*Adjustable according to drum chipper working width

MODEL	CAPACITY** LOGS BULK m ³ /h	INSTALLED POWER kW		WEIGHT APPROX. kg
		M1		
PD.860/2700	250	5,5		6360
PD.1000/2700	300	7,5		6360
PD.1235/2700	400	7,5		7100
PD.1450/2700	500	7,5		8200