

• PB • MDF • WASTE



ROLL SCREENS

DYNASCALPER

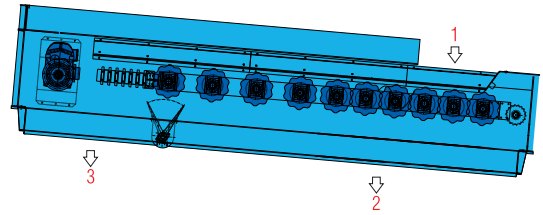
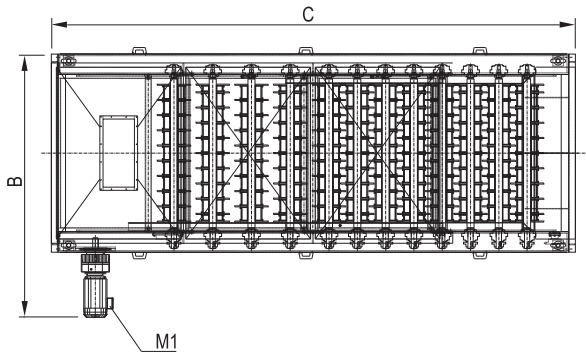
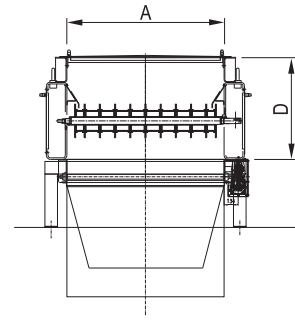
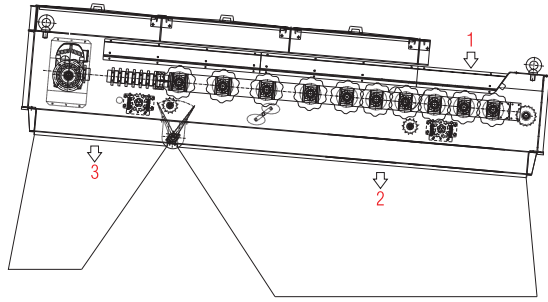
PATENTED

TECHNICAL FEATURES

- Dedicated roller profiles (star, disc, pentagon shape) to suit the type of material to screen
- Discs provided of specific wear-resistant surface treatment (chroming, nitriding, powder-coating)
- Two side bearings and transmissions
- Devices for setting gaps easily and freely
- Single or double screening deck/s
- Discharge flap for each fraction, to be freely positioned
- Separation from 2 to 3 fractions
- Integrated suction unit to remove dust, fiber, paper and plastic foils, etc.
- WS system for final suction.

BENEFITS

- WS Dynasifter: easy application any time – excellent dedusting and removal of light pollutants such as fiber, paper and plastic foils, etc.
- All gaps and discharge flaps freely adjustable: enables easy changing of fraction size – enables easy number variation of fractions
- Absolutely free from plugging and/or blockages
- Very easy setting of screening parameters
- High efficiency and reliability
- Low maintenance.



M1 = MAIN MOTOR
 1 = FEEDING
 2...3 = FRACTIONS

| MODEL | OVERALL DIMENSIONS mm | | | | CAPACITY* m ³ /h | INSTALLED POWER kW | WEIGHT kg |
|-----------------------|-----------------------|------|------|------|---|--------------------|---------------------------------|
| | A | B | C | D | | M1 | |
| DYN.-3200-1000 | 1000 | 2000 | 3200 | 1050 | According to type of material and number of rolls | 4,0 | According to number of rolls |
| DYN.-4000-1000 | 1000 | 2000 | 4000 | 1050 | | 5,5 | |
| DYN.-5000-1000 | 1000 | 2000 | 5000 | 1050 | | 7,5 | |
| DYN.-4000-2200 | 2200 | 3200 | 4000 | 1050 | | 5,5 | |
| DYN.-5000-2200 | 2200 | 3200 | 5000 | 1050 | | 7,5 | |
| DYN.-6000-2200 | 2200 | 3200 | 6000 | 1050 | | 7,5 | |
| DYN.-7000-2200 | 2200 | 3200 | 7000 | 1050 | | 7,5 | |
| DYN.-8000-2200 | 2200 | 3200 | 8000 | 1050 | | 7,5 | |
| DYN.-9000-2200 | 2200 | 3200 | 9000 | 1050 | | 7,5 | |