



• MDF • PB • PALLET BLOCKS • PELLETS • WASTE • LIME



IMAL
PAL
GROUP

AIR SIFTERS

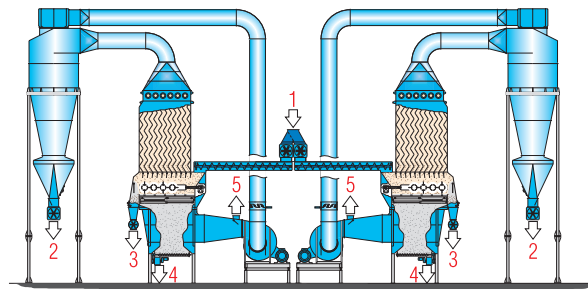
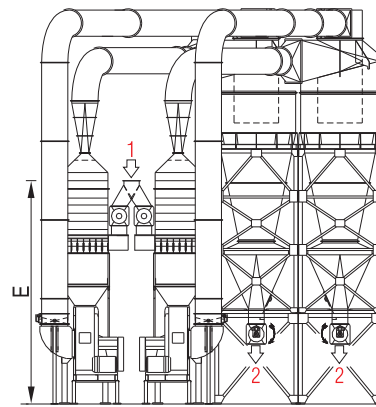
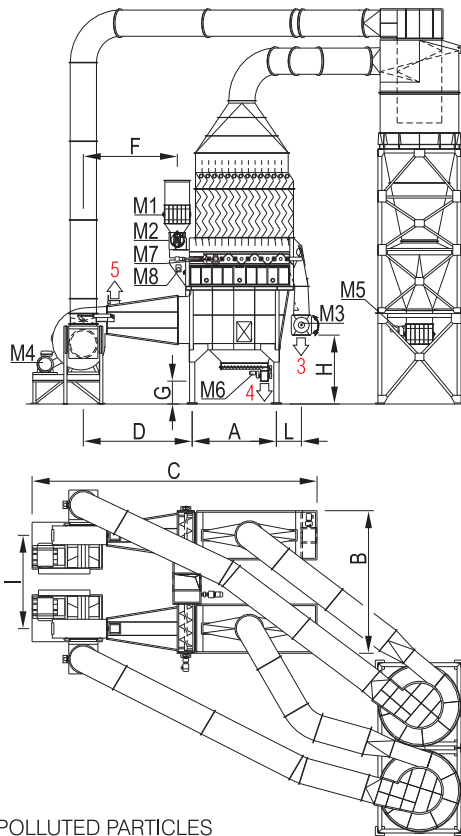
WIND SIFTER – DOUBLE MACHINES

TECHNICAL FEATURES

- Classifying chamber complete with: infeed system – horizontal fluidizing screen – comb system for moving thick particles and improving separation of heavy pollutants – zigzag channels – suction hopper connected to the cyclone – outfeed device for rejected particles – discharge system for heavy pollutants • Fan • Cyclone for accepted particles
- AF - Fire extinguishing system • AE - Explosion protection system.

BENEFITS

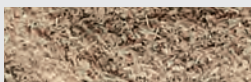
- High efficiency in classification • The turbulence generated by the zigzag channels ensures the thick-large (jumbo) particles to drop (that are improperly sucked and classified as accepts by other selectors) • Selection limit freely adjustable • Unbeatable removal of heavy pollutants • Highly reliable • Low maintenance.



- 1= POLLUTED PARTICLES
- 2= ACCEPTS, CLEANED THIN PARTICLES
- 3= REJECTS, THICK PARTICLES
- 4= SAND / HEAVY POLLUTANTS
- 5= EXHAUST AIR
- M1= FEEDING SCREW

- M2= ROTARY VALVE IN
- M3= ROTARY VALVE
REJECT EXTRACTION
- M4= FAN DRIVE

- M5= ROTARY VALVE OUT
- M6= ROTARY VALVE SAND EXTRACTION
- M7= COMBS ROTATION
- M8= COMBS OSCILLATOR



2



3



4

MODEL	OVERALL DIMENSIONS mm									
	A	B	C	D	E	F	G	H	I	L
WS.10,6	3212	4900	10049	3550	9503	3023	1200	2800	3394	955
WS.12,4	3212	5400	10049	3550	9609	2973	1200	2600	3644	955
WS.15,0	3212	6100	10074	3550	9070	2973	1200	2800	3994	955
WS.16,6	3717	6210	10554	3598	9595	3013	1200	2800	4104	955
WS.18,0	3717	6520	11150	4070	9748	3485	1200	2600	4260	955
WS.20,0	3717	8100	12249	4515	9450	2931	1047	2500	5400	960

Cyclone and pipe have to be sized and located according to the process data for processed material and outfeed position

MODEL	CAPACITY t/h				INSTALLED POWER kW								EXHAUST AIR m ³ /h	WEIGHT* APPROX. kg				
	S.L. DRY	C.L. DRY	OVERSIZE DRY	RECY MIX	M1	M2	M3	M4	M5	M6	M7	M8						
WS.10,6	19,1	31,8	38,2	37,1	2 x 4,0	2 x 4,0	2 x 3,0	Information available according to processed material and cyclone distance.	2 x 4,0	2 x 0,75	2 x 2,2	2 x 0,55	Information available according to processed material.	26000				
WS.12,4	22,3	37,2	44,6	43,4	2 x 5,5	2 x 7,5	2 x 3,0		2 x 5,5	2 x 0,75	2 x 2,2	2 x 0,55			28000			
WS.15,0	27,0	45,0	54,0	52,5	2 x 5,5	2 x 7,5	2 x 4,0		2 x 5,5	2 x 0,75	2 x 2,2	2 x 0,55				29000		
WS.16,6	29,9	49,8	59,8	58,1	2 x 5,5	2 x 7,5	2 x 4,0		2 x 5,5	2 x 0,75	2 x 2,2	2 x 0,55					30000	
WS.18,0	32,4	54,0	64,8	63,0	2 x 5,5	2 x 7,5	2 x 4,0		2 x 5,5	2 x 0,75	2 x 2,2	2 x 0,55						31600
WS.20,0	36,0	60,0	72,0	70,0	2 x 5,5	2 x 9,2	2 x 4,0		2 x 5,5	2 x 0,75	2 x 4,0	2 x 0,75						

*Weight without piping and cyclone