



• PB • MDF • PALLET BLOCKS • WASTE



## OPTICAL SORTER

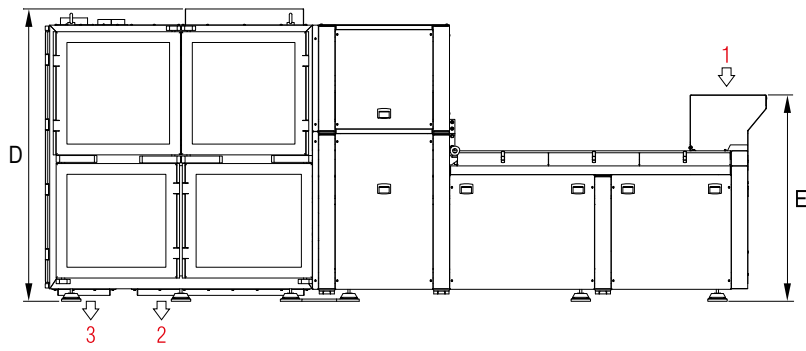
### CYCLOPS

#### TECHNICAL FEATURES

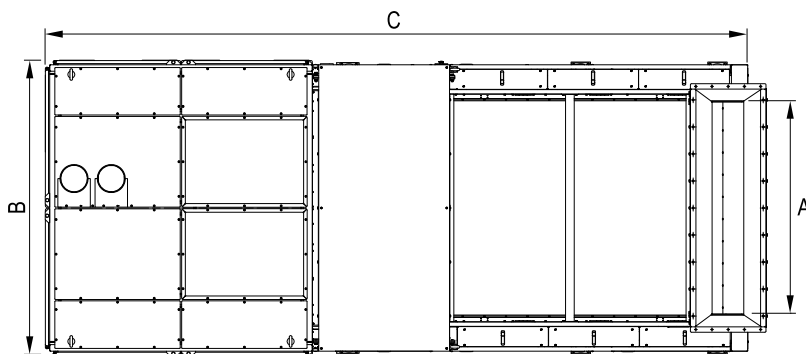
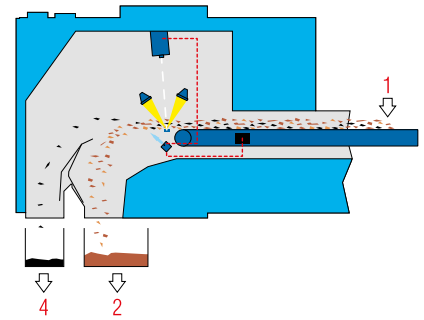
- High speed belt for monolayer particles transfer
- High efficiency and constant performance of digital camera
- Integrated sw control system
- Selecting unit with compressed air
- Discharge hopper with selecting flap
- Heavy construction for continuous operation.

#### BENEFITS

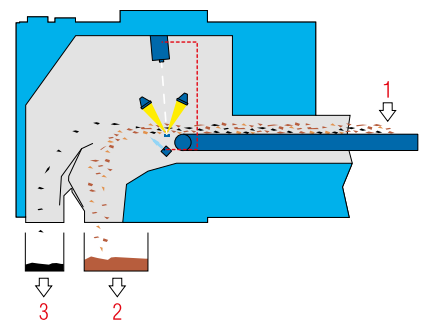
- Possibility of feeding any type of raw wood
- Removal of many kind of pollutants, plastic, metals, inerts
- Very high efficiency
- Compact layout
- Low maintenance
- Easy control and adjustment.



TYPE CSI  
POLLUTANTS AND METALS REMOVAL



TYPE CS  
POLLUTANTS REMOVAL



1 = INLET MATERIAL  
2 = CLEANED MATERIAL

3 = POLLUTANTS  
4 = POLLUTANTS AND METALS

M1 = BELT ROTATION  
M2 = FAN

MODEL	OVERALL DIMENSIONS mm				
	A	B	C	D	E
CS/CSI.1.1000	1000	1740	6460	2700	1910
CS/CSI.1.1500	1500	2240	6460	3285	1910
CS/CSI.1.2000	2000	2740	6460	3785	1910
CS/CSI.2.2000	2000	2730	6460	2700	1910
CS/CSI.2.3000	3000	3740	6460	3285	1910
CS/CSI.3.3000	3000	3740	6460	2700	1910

MODEL	CAPACITY		INSTALLED POWER kW		AIR CONSUMPTION (NI/min) 6bar	
	MICRO 10-30 mm	MACRO >30 mm	M1	M2	MICRO	MACRO
CS/CSI.1.1000	35 m <sup>3</sup> /h	60 m <sup>3</sup> /h	2,2	1,50	1000-1500	1000-1500
CS/CSI.1.1500	60 m <sup>3</sup> /h	90 m <sup>3</sup> /h	2,2	1,50	1500-2000	1500-2000
CS/CSI.1.2000	-	120 m <sup>3</sup> /h	2,2	1,50	-	2000-2500
CS/CSI.2.2000	80 m <sup>3</sup> /h	-	2,2	1,50	2000-3000	-
CS/CSI.2.3000	120 m <sup>3</sup> /h	180 m <sup>3</sup> /h	2,2	1,50	3000-4000	3000-4000
CS/CSI.3.3000	120 m <sup>3</sup> /h	-	2,2	1,50	4500-5500	-