



• MDF • PB • OSB • INS. BOARD • PALLET BLOCKS • PELLETS



CIRCULAR EXTRACTORS

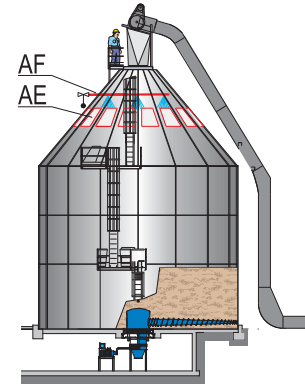
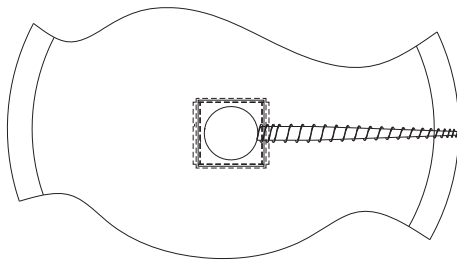
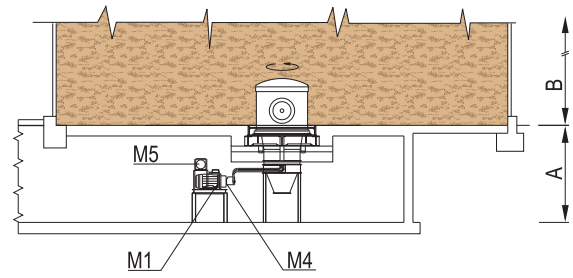
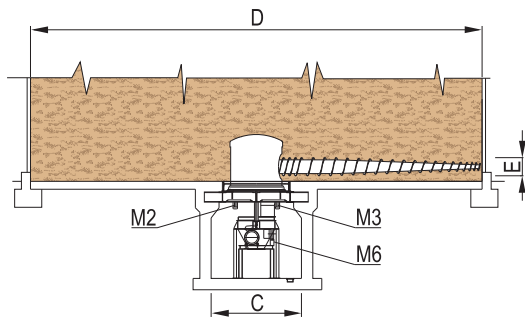
EXTRAPLUS

TECHNICAL FEATURES

- Rotating turret mounted in the middle of the silo bottom and connected to a fixed structure through a slewing bearings
- Turret rotations by means of two hydraulic motors
- Extraction screw embossed and connected to the turret structure by means of a slewing bearings
- Extraction screw based on progressive pitch and fitted with peripheral milling-teeth
- Extraction screw rotations by means of hydraulic motor
- Hydraulic power unit located close to of the extractor screw
- Cooling circuit of the extraction screw hydraulic motor lubrication
- Automatic grease lubrication circuit of slewing bearings.

BENEFITS

- Suitable for: Large silos, up to 25 m diameter - Materials difficult to extract, e.g. wet-fibrous-compact
- Easy inspection and maintenance
- Excellent mixing of the extracted material
- High efficiency and reliability
- Low maintenance.



FOR DRY MATERIAL ONLY:
 AF= FIRE-EXTINGUISHING SYSTEM
 AE= EXPLOSION VENTS

M1= MAIN SCREW ROTATION
 M2= TURRET ROTATION
 M3= TURRET ROTATION

M4= HEAT EXCHANGER
 M5= HEAT EXCHANGER FOR GEAR OIL
 M6= PUMP FOR GEAR OIL

MODEL	OVERALL DIMENSIONS mm					VOLUME OF SILO m ³
	A	B - top	C	D	E	
EXTRAPLUS	min. 4500	up to 30000	min. 4000	15000-25000	650-1200	2000-10000

MODEL	THROUGHPUT m ³ /h - top	INSTALLED POWER kW						WEIGHT APPROX. kg
		M1	M2	M3	M4	M5	M6	
EXTRAPLUS	max. 700	According to type of material and height of silo.						max. 22000