



• PB • OSB



METERING STORAGE BIN

SILOBIN B

STORAGE AND METERING OF DRY OR GREEN MATERIAL

The particles are stored in a bin in which there is a conveyor belt controlled by a frequency converter and a set of comb rollers, which fluidise the particles in order to obtain a constant material flow.

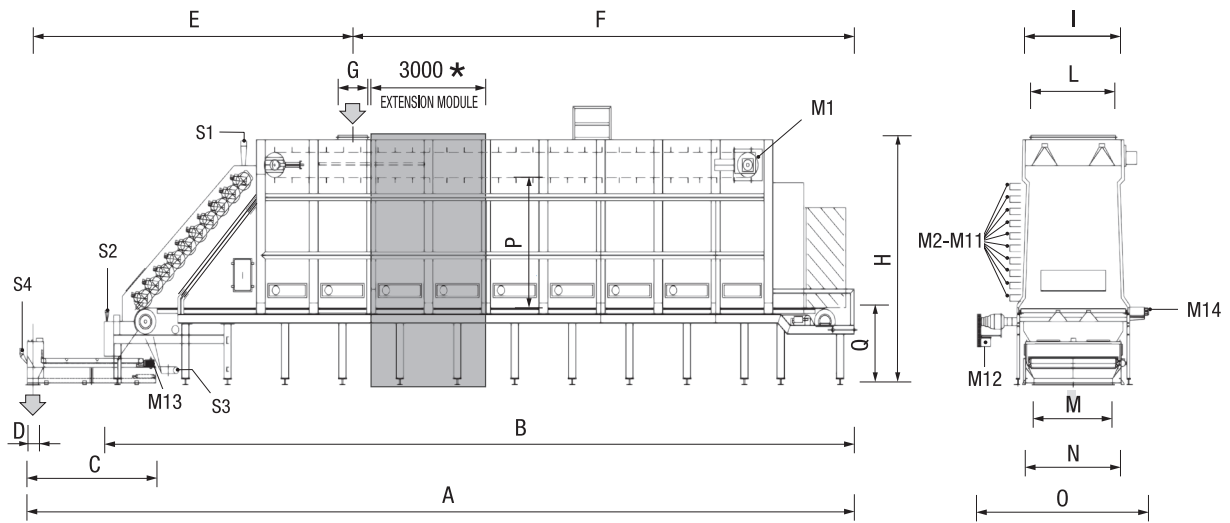
The storage bin is composed of standard modules: • front module, complete with independent comb rollers • central module (made up of various units depending on dosing capacity) • end module, complete with inspection door • screw or rakeback conveyor system to spread the material evenly inside the bin.

The belt scales (BT model) installed at the storage bin outlet carefully monitors material throughput resulting in accurate material metering. The scale is equipped with a digital amplifier, to which an extremely accurate load cell is connected.

This amplifier displays the continuous weight and transmits a proportional signal, as well as providing other useful data.

MAIN FEATURES

- Very sturdy construction
- Automatic belt tracking system
- Plexiglas window for internal inspection
- Rear door for inspection
- Explosion relief panel (optional)
- Electronic level control
- Large diameter drive rollers to reduce belt tension.



***EXTENSION MODULE**

NOTE: Silobin capacity may be extended with the addition of 3000 mm modules, increasing the volume of the 2000 version by 18 m³ and the volume of the 2500 version by 23 m³.

MODEL	OVERALL DIMENSIONS mm															
	A	B	C	D	E	F	G	H	I	L	M	N	O	P	Q	
SILOBIN B 56/2000	18300	16585	2490	300	7545	10605	600	5400	2000	1700	1650	2090	3990	3100	1180	
SILOBIN B 72/2000	21300	19585	2490	300	7545	13605	600	5400	2000	1700	1650	2090	3990	3100	1180	
SILOBIN B 108/2000	27300	25585	2490	300	7545	19605	600	5400	2000	1700	1650	2090	3990	3100	1180	
SILOBIN B 134/2000	31800	30085	2490	300	7545	24105	600	5400	2000	1700	1650	2090	3990	3100	1180	
SILOBIN B 56/2500	12600	10885	2490	300	7545	4905	600	5400	2500	2200	2150	2590	4490	3100	1180	
SILOBIN B 72/2500	15600	13885	2490	300	7545	7905	600	5400	2500	2200	2150	2590	4490	3100	1180	
SILOBIN B 108/2500	21600	19885	2490	300	7545	13905	600	5400	2500	2200	2150	2590	4490	3100	1180	
SILOBIN B 134/2500	26100	24385	2490	300	7545	18405	600	5400	2500	2200	2150	2590	4490	3100	1180	

MODEL	MAX THROUGHPUT kg/h	MAX BIN VOLUME m ³	INSTALLED POWER kW					TOTAL SUCTION S1-S2-S3-S4 m ³ /h	TOTAL WEIGHT kg
			M1	M2-M11	M12	M13	M14		
SILOBIN B 56/2000	60000	70	7.50	0.75	2.20	0.37	0.37	5900	26000
SILOBIN B 72/2000	60000	86	7.50	0.75	2.20	0.37	0.37	5900	29000
SILOBIN B 108/2000	60000	118	7.50	0.75	2.20	0.37	0.55	5900	35000
SILOBIN B 134/2000	60000	141	7.50	0.75	2.20	0.37	0.55	5900	41500
SILOBIN B 56/2500	60000	70	7.50	0.75	2.20	0.37	0.37	5900	27000
SILOBIN B 72/2500	60000	86	7.50	0.75	2.20	0.37	0.37	5900	30000
SILOBIN B 108/2500	60000	118	7.50	0.75	2.20	0.37	0.55	5900	36000
SILOBIN B 134/2500	60000	141	7.50	0.75	2.20	0.37	0.55	5900	42500