



• MDF • PB • OSB/LSB • PALLET BLOCKS • PRESSED PALLETS • PELLETS • BIOMASS ENERGY



## CHIPPERS

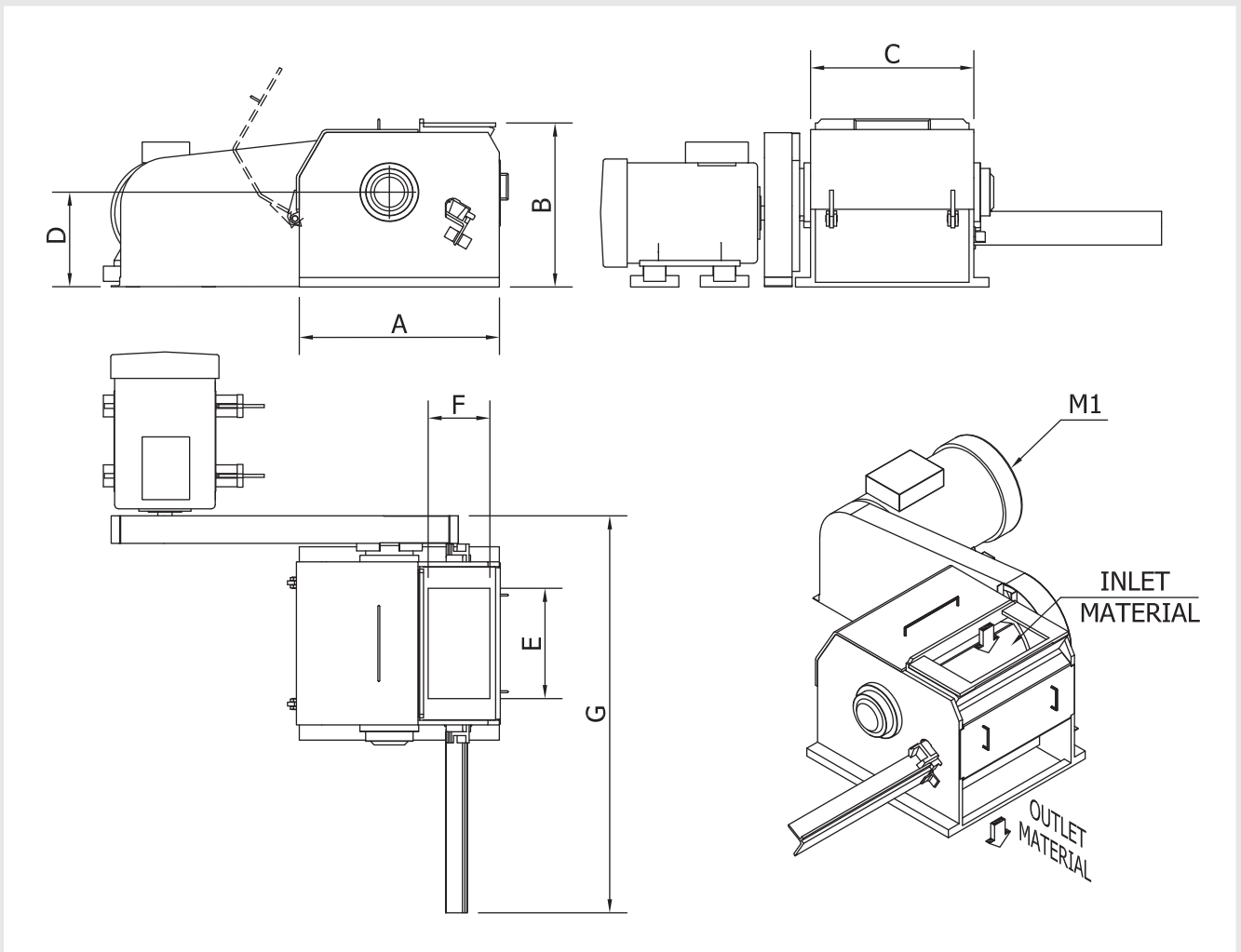
### RE-CHIPPERS – RMG

#### TECHNICAL FEATURES

• This specific machine, is able to process small rejected wood materials such as barks or forestry waste and also the wood over-size coming from others size of reduction machineries • Basic concept of this machine is the same of all other Globus drum chipper machines, except for the top gravity feeding system of the inlet material • Bigger machines are equipped with hydraulic upper hood lifting and counter knife ejection.

#### BENEFITS

• Easy digestion of all types of wood materials • Easy change of knives • Lateral counter-knife ejection on sliding guide • Minimized energy consumption • Low maintenance cost.



MODEL	OVERALL DIMENSIONS mm ***							
	A	B	C	D	E	F	G	N° knives
<b>RMG 600.75</b>	1050	870	850	500	750	350	1200	2 ÷ 3
<b>RMG 600.100</b>	1050	870	1100	500	1000	500	2500	2 ÷ 3
<b>RMG 800.75</b>	1250	1120	850	600	750	350	1200	2 ÷ 4
<b>RMG 800.100</b>	1250	1120	1100	600	1000	500	2500	2 ÷ 4
<b>RMG 1200.75</b>	1650	1470	850	800	750	500	1200	2 ÷ 5

MODEL	CAPACITY**** m <sup>3</sup> /h chips	POWER kW	WEIGHT kg
		M1	
<b>RMG 600.75</b>	10 ÷ 20	30 ÷ 200	1500 ÷ 2700
<b>RMG 600.100</b>	13 ÷ 26		
<b>RMG 800.75</b>	30 ÷ 60		
<b>RMG 800.100</b>	40 ÷ 80		
<b>RMG 1200.75</b>	50 ÷ 125		

\*\*\*According to customer needs

\*\*\*\*According to raw material size and density