



• OSB/LSB



IMAL
PAL
GROUP

RING STRANDER

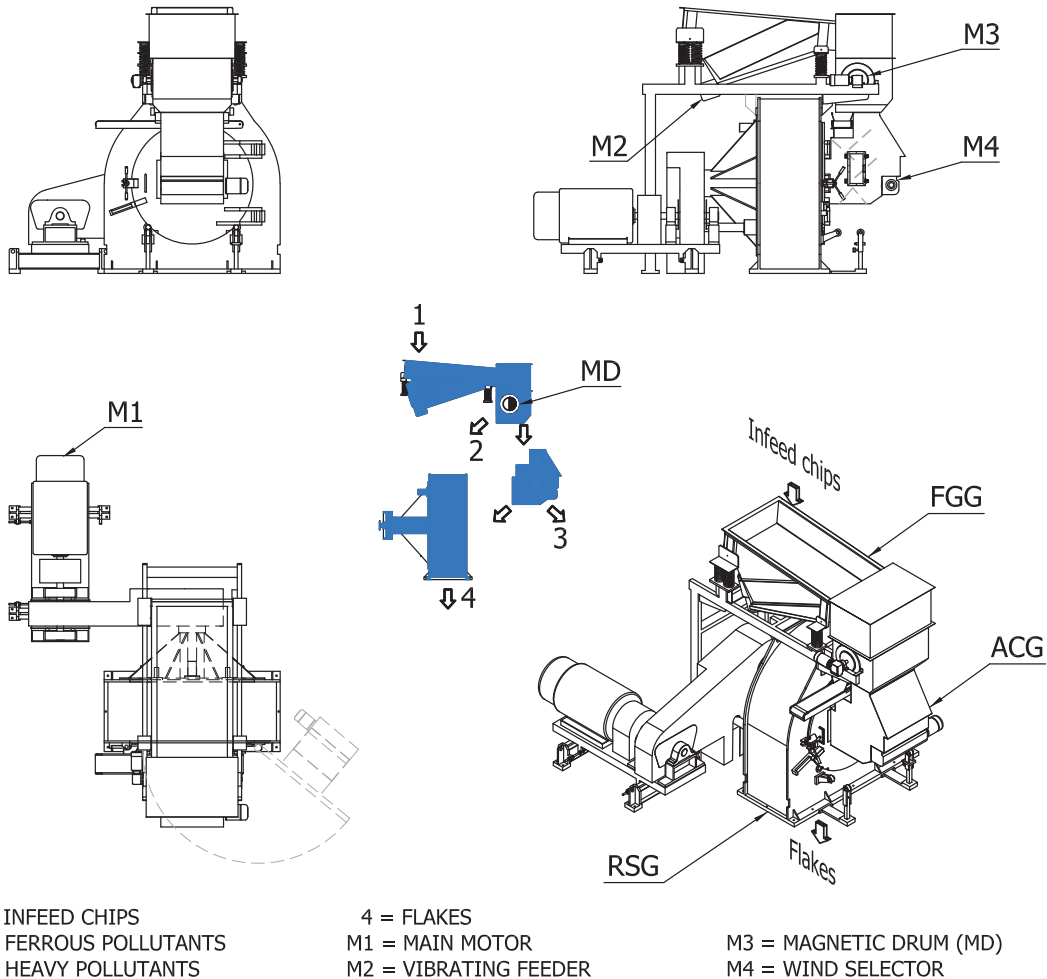
RSG

TECHNICAL FEATURES

• Ring Strander is the new machine for producing high quality micro strands • Globus patented wobble spreader disc, is a unique system for a perfect distribution of the macro chips inside the machine • Perfect distribution of the macro chips, allows to obtain long and large flakes. Thanks to the particular knife cutting edge, flakes are also thin and have constant size • Oil lubrication system for main bearings allows to have high cutting speed and avoid the production of dust • The particular geometric shape of knife ring and knife allows to work with wood having a moisture up to 160% bd.

BENEFITS

• Homogeneous granularity of the strands and perfect cutting of the wood, in order to leave unchanged the physical/mechanical properties of OSB • Very low specific energy consumption • Regular consumption of wearing parts • No clogging even with high moisture material.



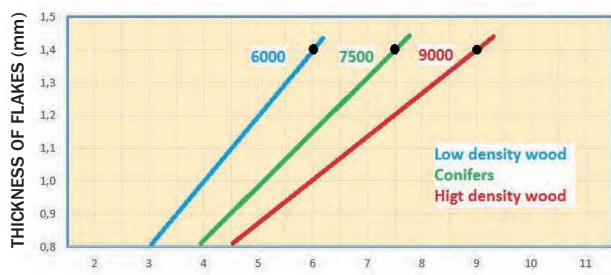
1



4

MODEL	OVERALL DIMENSIONS mm	KNIFE RING DIAMETER mm	KNIVES No.	DIMENSION OF KNIVES mm	MAIN MOTOR kW	WEIGHT WITHOUT MAIN MOTOR kg
RSG 14.490-GT	2500 x 2850 x 2350	1400	48	490 x 90 x 4	250	8500
RSG 14.690-GT	2500 x 3200 x 2350	1400	48	690 x 90 x 4	315	10000

RSG 14.490-GT



RSG 14.690-GT

