



• PB



AUTOMATIC SHARPENING SYSTEM

WMG - ASR

This innovative system, which has revolutionised the concept of knife sharpening, transforming knife sharpening into a fully automatic process that is closely monitored throughout all its various stages.

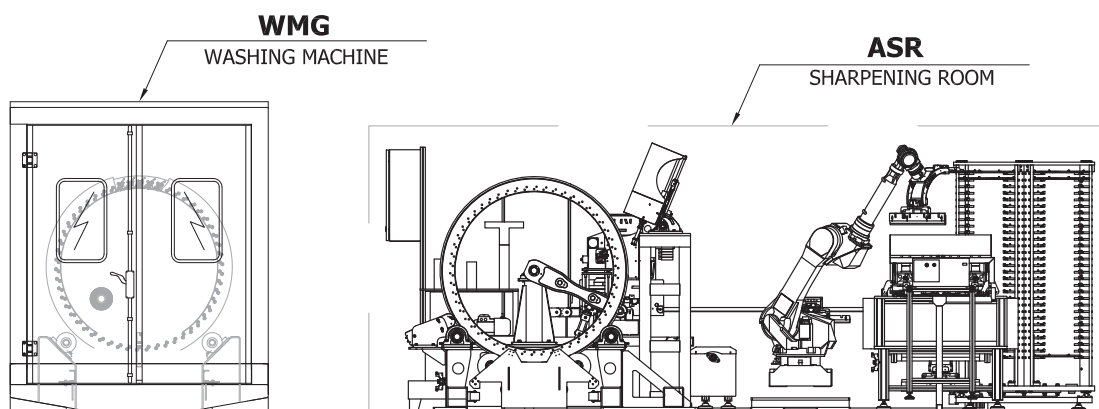
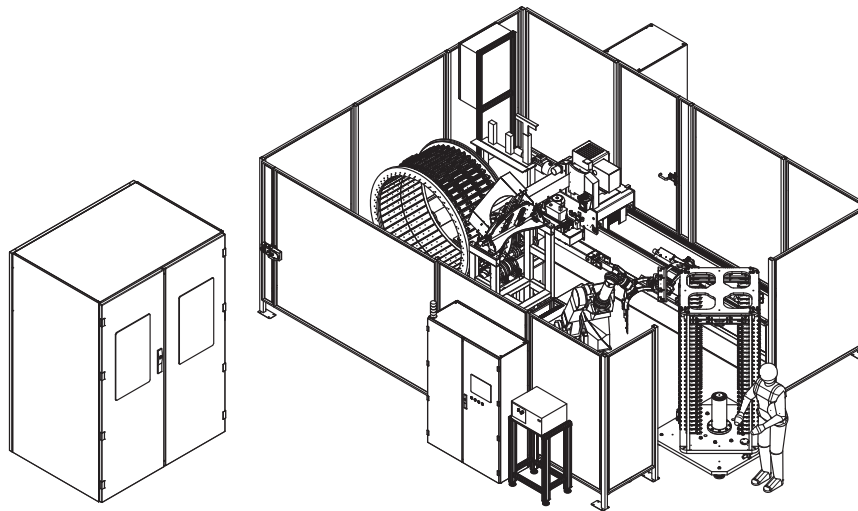
The system consists of a 6-axis robot, designed to carry out all the operations in a highly flexible manner and to handle an infinite number of sharpening programmes and work process variants.

The process commences with a unit which sprays the knife ring automatically with moving jets of water, after which it is brushed and dried with compressed air.

The knife ring is then placed in a dedicated, fully enclosed area where all the operations are carried out in safety without the need of any operator.

Each knife is removed automatically and then checked by an optical scanning system to determine the relative profile and how much material needs to be sharpened away.

All the operations are handled automatically and details on knives and wear plates condition are used to optimize the flaker performances.



MODEL	OVERALL DIMENSIONS mm		
	Width	Length	Height
ASR	6500	5000	2400
WMG	2300	1100	2750

MODEL	MAIN MOTOR POWER kW	MAIN PNEUMATIC AIR Bar	CLEAN WATER Bar
ASR	35	6-8 Bar / 23 l/s.	-
WMG	17	6-8 Bar / 23 l/s.	3850

MODEL	CYCLE_TIME
ASR	30 ÷ 75 Min
WMG	



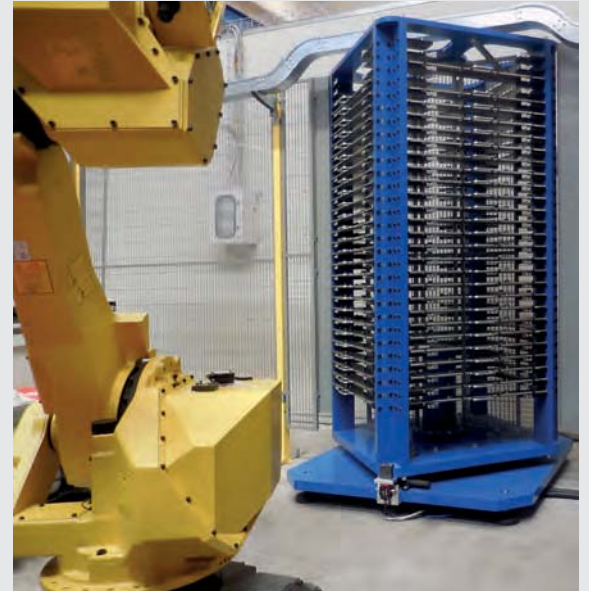
WASHING MACHINE WMG



LASER SCREENING FOR WEAR PLATES



SCANNER FOR KNIFE PROFILE (RESOLUTION 1/100)



FRONT STORAGE OR REVOLVING STORAGE



SHARPENING FOR EACH SINGLE KNIFE



CONTROL PANEL WITH REMOTE ASSISTANCE

6-AXIS ROBOT