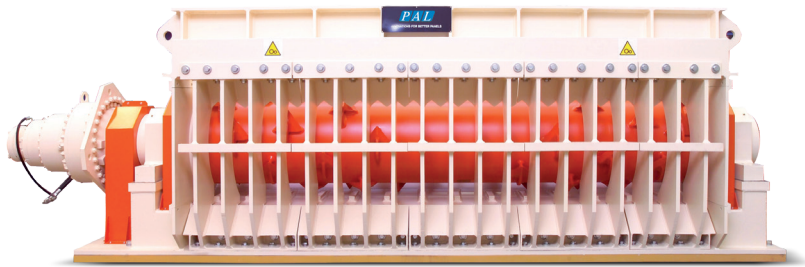


SINGLE-ROTOR PRE-CRUSHERS

ALLIGATOR

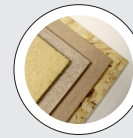
FROM URBAN FOREST TO PRE-CRUSHED MATERIAL

**TECHNICAL FEATURES**

- Very large feeding hopper for bulky material
- Low-speed crushing rotor equipped with strong teeth
- Hydraulic drive protected from overloads
- Hydraulic drive protected from overloads
- Discharge sizing screen for pre-crushed material.

BENEFITS

- Drastic volume reduction of bulky recycling, i.e. from 60-80 to 130-150 kg/m³ bd
- Easier & cheaper transportation of pre-crushed material
- Full protection from overloads, e.g. from foreign bodies
- Compact, simple, versatile, highly reliable and efficient system
- Minimum noise
- Very low maintenance
- Low energy consumption.

BEST IN CLASS FOR:

WOOD BASED PANELS:
PB/SPB



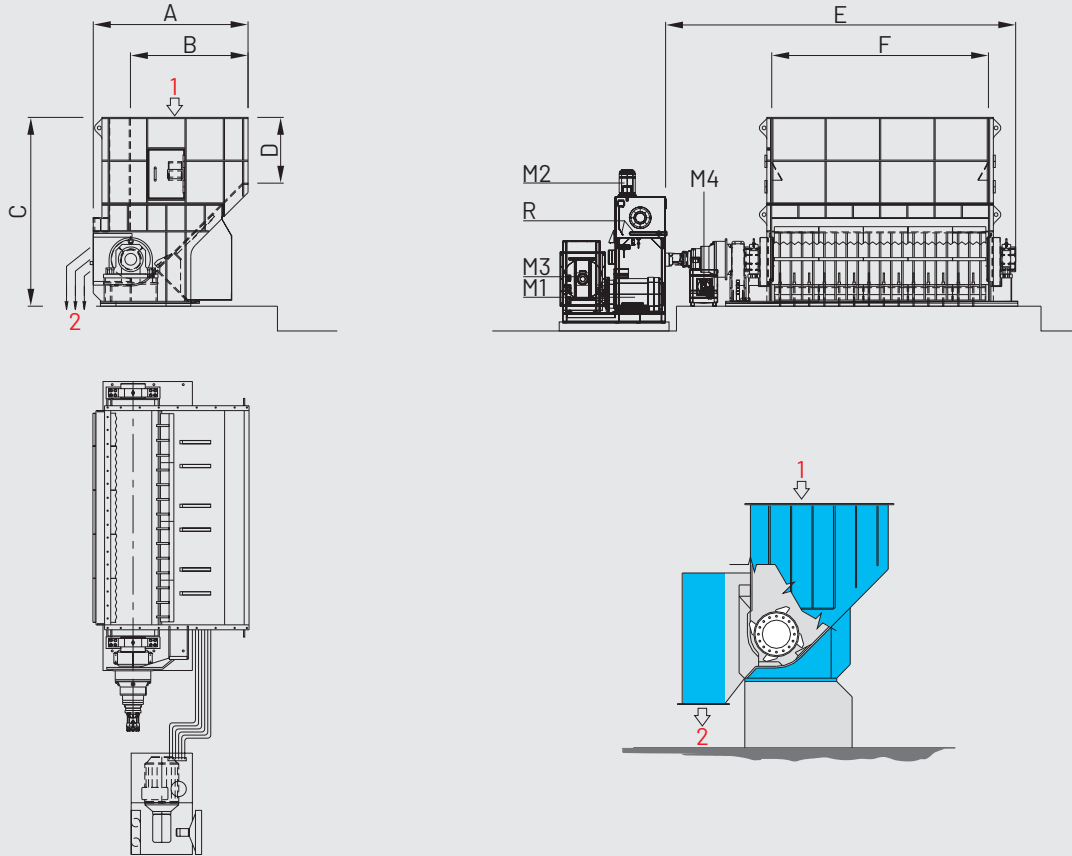
PRESSED WOOD PACKAGING:
PALLET BLOCKS



PELLETS & ENERGY:
WOOD PELLETS AND
BLACK PELLETS
LIME



WOOD RECYCLING AND
WASTE TREATMENT:
WASTE



1 = INFEED M1 = MAIN MOTOR M3 = HEAT EXCHANGER FOR OIL R = RESISTORS FOR HEATING OIL
 2 = OUTFEED M2 = FEEDING HYDRAULIC UNIT M4 = HEAT EXCHANGER FOR GEAR BOX

MODEL	OVERALL DIMENSIONS mm					
	A	B	C	D	E	F
ALLIGATOR 80-350/240	2500	1900	3050	1060	5720	3500

MODEL	CAPACITY** t/h	INSTALLED POWER kW					WEIGHT APPROX. kg
		M1	M2	M3	M4	R***	
ALLIGATOR 80-350/240	15-25	75-90	7,50	1,10	0,75	3 x 2	22000

**According to type-volume of material and infeed efficiency

***Resistors for heating oil - option