

CONTINUOUS WEIGHING SCALE

BT & BN

ACCURATE MEASURING OF MATERIAL FLOW, ESPECIALLY AFTER
DOSING EQUIPMENT LIKE DOSING SCREWS AND BINS

**BEST IN CLASS FOR:**

WOOD BASED PANELS:

PB/SPB

OSB/LSB/FOSB

- The small size of the BT or BN model means that they can be installed in any plant
- BT or BN model are particularly suitable for all plants where continuous material weighing is required to assist in on going adjustments and controls. The material is conveyed on a belt connected to an electronic weight transducer. The signal is converted by an electronic amplifier that instantly displays the weight in Kg/min or lb/min.

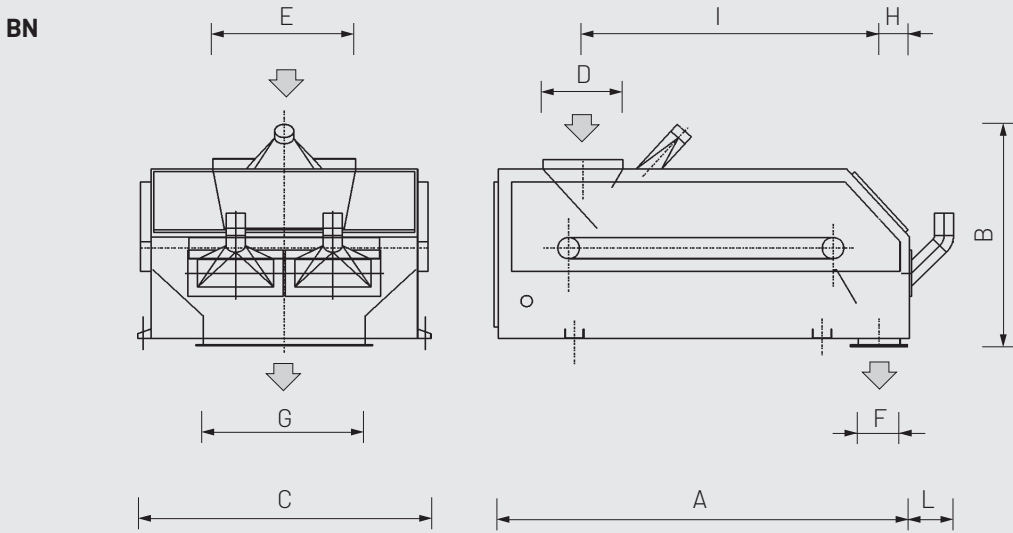
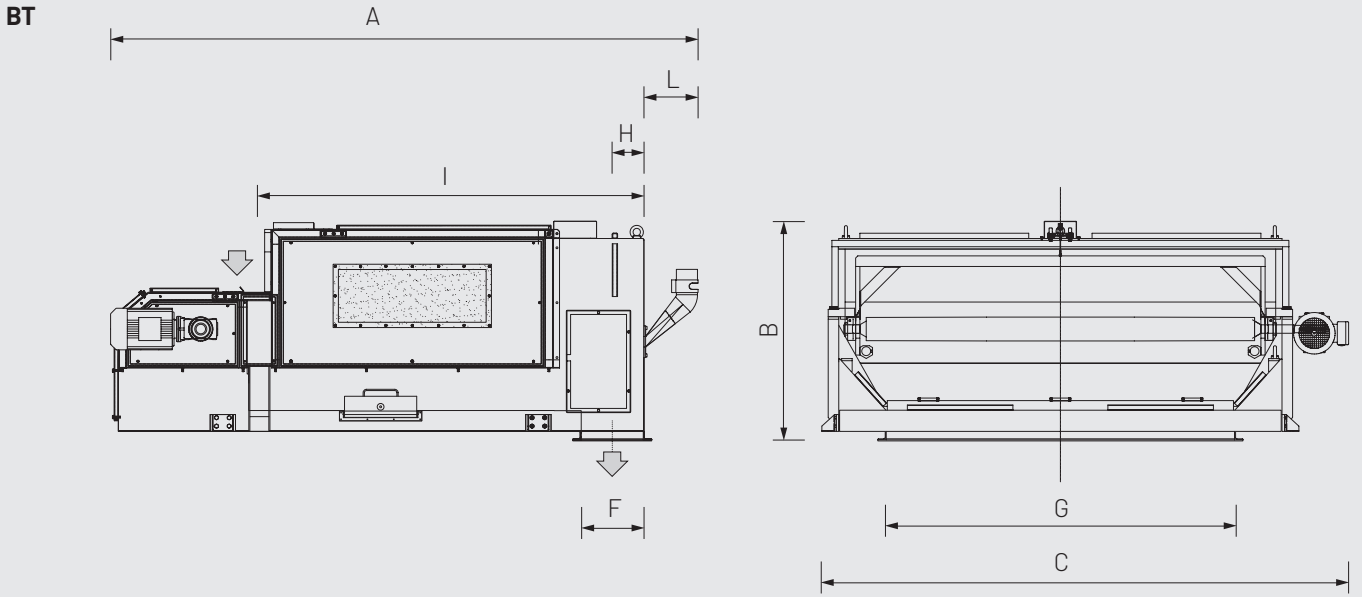
The continuous belt scale consists of:

- A strong metal frame partially closed with two dust extraction ports
- A weighing belt made of anti-static material and managed by a mechanical auto-centering system
- A pneumatically activated mechanical cleaning system which ensures that the bottom of the scales is always clean, virtually eliminating any maintenance
- An electronic auto-tare system
- A load cell amplifier designed especially for industrial weighing systems which are located in very adverse working conditions.

Working in such adverse environments is made possible because all the electronic components of the amplifier are contained in a very strong, sealed, metal case. The amplifier is suitable for use with load cells which work in a proportional way; an increase in weight increases the output signal.

The amplifier, positioned on the side of the scales, displays the following:

- % flow of the previously selected full scale
- Throughput in kg or lb/min (real, present). The amplifier is an ideal interface between load cells installed on the plant and registering instruments, process calculation and control device.



MODEL	MAX. THROUGHPUT kg/h	MAX. POWER kW	WEIGHT kg	OVERALL DIMENSIONS mm								
				A	B	C	F	G	H	I	L	
BT 8	8000	0.45	600	1890	990	1260	300	655	150	1300	250	
BT 16	16000	0.45	700	2490	990	1360	300	755	150	1800	250	
BT 24	24000	0.45	900	2490	990	1860	300	1255	150	1800	250	
BT 36	36000	0.75	1200	2490	990	2260	300	1655	150	1800	250	

MODEL	MAX. THROUGHPUT kg/h	MAX. POWER kW	WEIGHT kg	OVERALL DIMENSIONS mm									
				A	B	C	D	E	F	G	H	I	L
BN 4	4000	0.45	280	1580	1190	1140	420	350	220	450	160	955	250
BN 8	8000	0.45	480	1880	1190	1340	420	550	220	650	160	1255	250
BN 16	16000	0.45	650	2180	1190	1540	420	750	220	850	160	1555	250
BN 24	24000	0.45	900	2480	1190	1740	420	950	220	1050	160	1855	250
BN 36	36000	0.75	1100	2780	1190	1940	420	1050	220	1250	160	2155	250