

FERROUS METALS REMOVERS

NEODYMIUM CAGES – NEODY

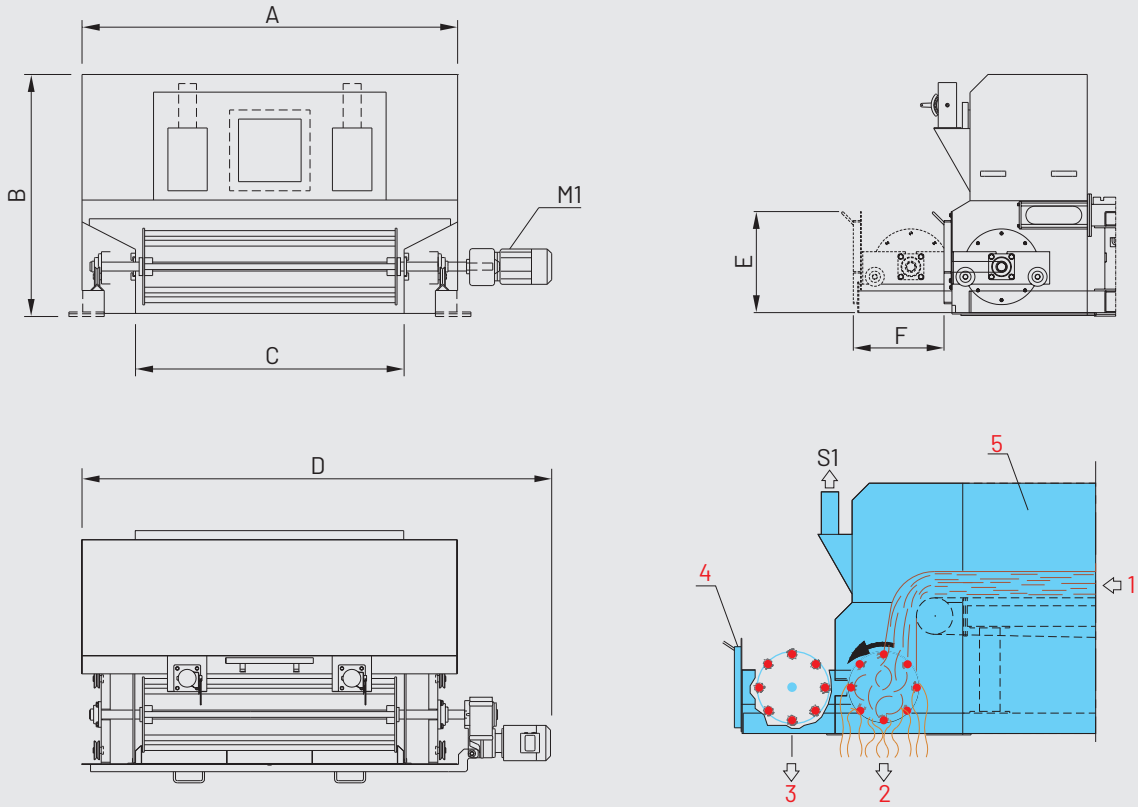
FOR CHIPS, SAWDUST, DUST AND PARTICLES

**BEST IN CLASS FOR:**WOOD BASED PANELS:
PB/SPB**TECHNICAL FEATURES**

- Rotating cage with neodymium bars • Drive system • Unit can be fitted in the discharge mouths of metering bins or belt scales, e.g. in wet or sticky areas.

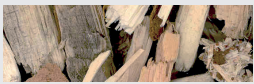
BENEFITS

- Very efficient removal of residual ferrous pollutants and ferrous dust from wet or dry particles, dust, etc. • High protection of steel belts of the continuous presses • Very high efficiency & reliability • Low maintenance.



1 = FLOW DIRECTION OF POLLUTED MATERIAL
 2 = CLEANED MATERIAL
 3 = FERROUS METAL REMOVED

4 = UNIT MOUNTED IN AN OPENING DRAWER
 5 = BELT SCALE OR DOSING BIN
 M1 = NEODYMIUM STAND DRIVE



2



3

MODEL	OVERALL DIMENSIONS mm					
	A	B	C	D	E	F
NEODY.1200	1698	1350	1100	2225	560	500
NEODY.1600	2098	1350	1400	2625	560	500

MODEL	CAPACITY* m³/h	INSTALLED POWER kW M1	SUCTION S1			WEIGHT APPROX. kg
			SUCTION m³/h	AIR SPEED m/s	SUCTION PRESSURE Pa	
NEODY.1200	120	2,2	2 x 800	29	200	500
NEODY.1600	380	2,2	2 x 800	29	200	620

*SL & CL particles