

## TIGER-K

FROM URBAN FOREST TO READY CHIPS



### BEST IN CLASS FOR:



WOOD BASED PANELS:  
PB/SPB  
MDF/HDF



PRESSED WOOD PACKAGING:  
PALLET BLOCKS  
PRESSED PALLETS  
LIME



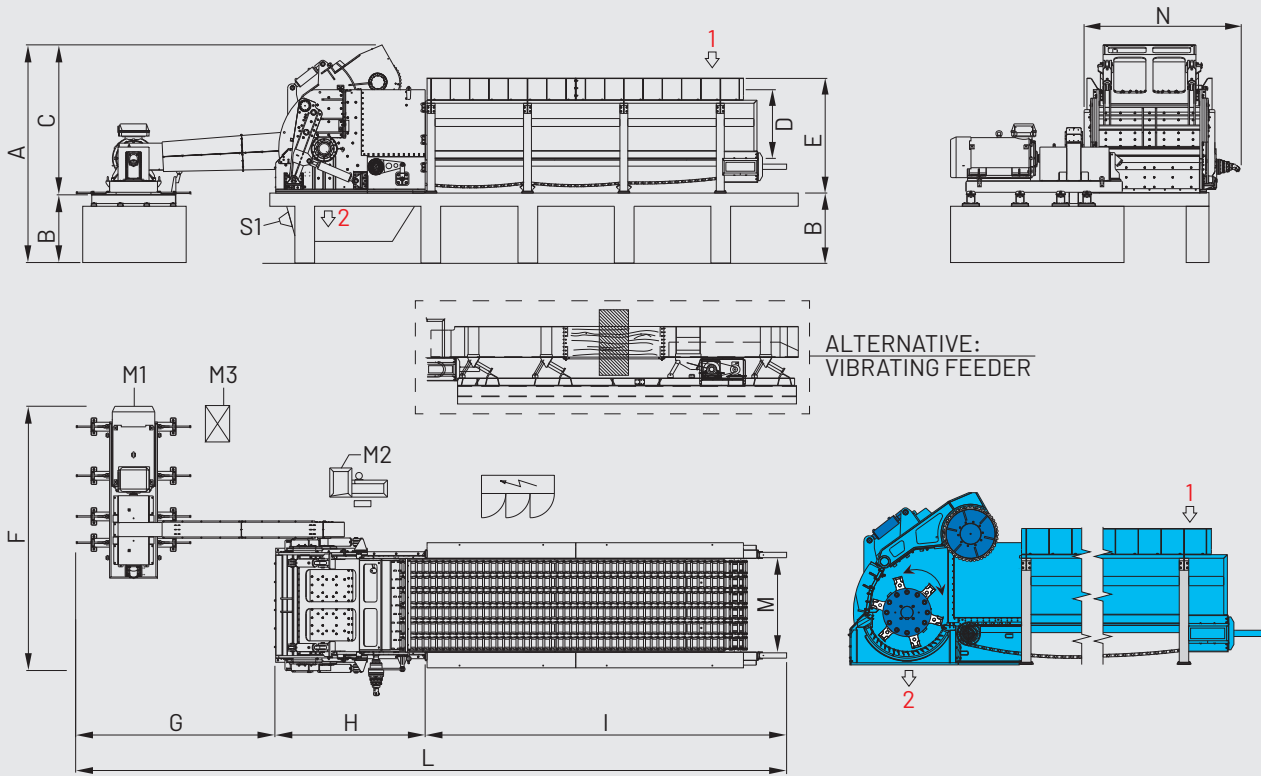
WOOD RECYCLING AND  
WASTE TREATMENT:  
WASTE

### TECHNICAL FEATURES

- U-feeder based on vibrating channel or long chain-plate conveyor
- Swiveling introduction head with toothed rollers
- High speed rotor equipped with very strong hammers-knives
- Possibility to change the direction of operation rotor as needed
- Digesting chamber equipped with openable inspection gates and inner wearproof protections
- Front flaps to reject indigestible materials such as large metallic contaminants, etc.
- Very big strong hammers
- Outfeed screen to control the size of crushed chips.

### BENEFITS

- Easy digestion of all urban forest material, bulky or pre-crushed
- Easy digestion of pollutants such as minerals, stones, plastics, glass, etc.
- Elimination of bigger and tougher heavy pollutants
- Very low specific energy consumption and maintenance.



1 = BULKY RECYCLING  
2 = CHIPS

M1 = MAIN MOTOR  
M2 = HYDRAULIC SYSTEM

M3 = HYDRAULIC POWER UNIT FOR  
MAIN MOTOR STARTING

MODEL	OVERALL DIMENSIONS mm										
	A	B	C	D	E	F	*G	H	I	L	M
TIGER-K 210-110	5367	2000	3367	1592	2610	6500	4528	3440	8167	16135	2100

\*Variable according to motor size

MODEL	INLET SECTION mm		ROTOR DIAMETER mm	CAPACITY** t/h	INSTALLED POWER kW			WEIGHT APPROX. kg TOTAL
	WIDTH mm	HEIGHT mm			M1**	M2	M3	
TIGER-K 210-110	2100	1100	1400	40-65	1000	55	75	70000

\*\*According to type, bulk density and moisture content of material to crush

MODEL	EXHAUST SUCTION S1		
	SUCTION m <sup>3</sup> /h	AIR SPEED m/s	SUCTION PRESSURE Pa
TIGER-K 210-110	30000-50000	29	1000