

VIBRATING TABLES – VTG



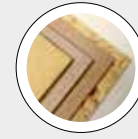
TECHNICAL FEATURES

- Vibrating table is the perfect integration with the following vibrating feeder machines, for a proper wood materials feeding
- Modular manufacturing system to feed every single specific requirement
- Each module could be equipped with a frontal screen for discharging fine materials such as bark, stone, dust etc
- The unidirectional movement is obtained through a couple of motovibrators.

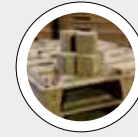
BENEFITS

- Excellent feeding and fluidification of any type of raw wood
- Minimized energy consumption
- Low maintenance cost.

BEST IN CLASS FOR:



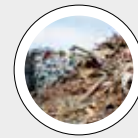
WOOD BASED PANELS:
MDF/HDF
PB/SPB



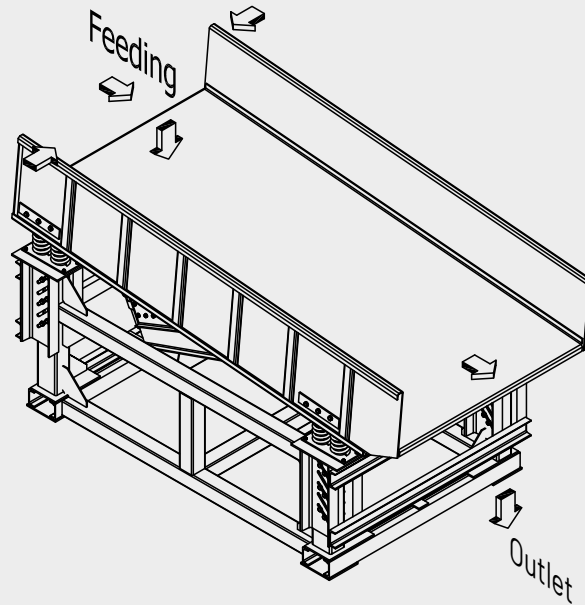
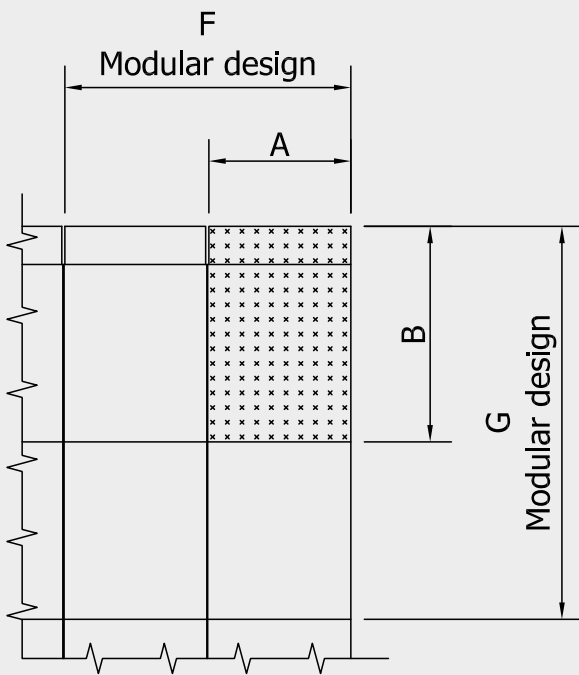
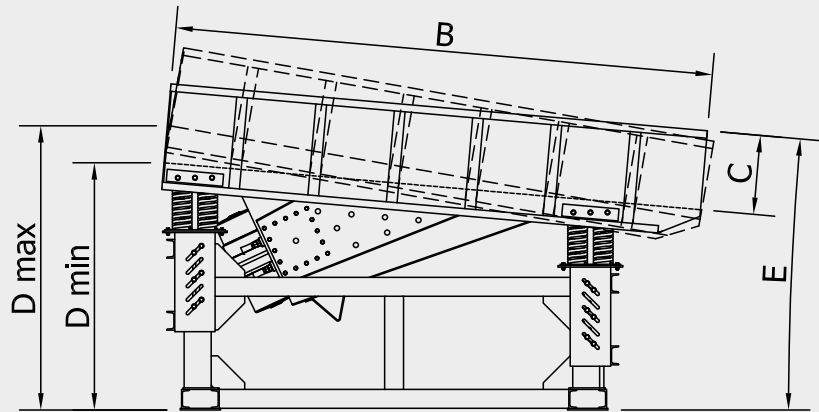
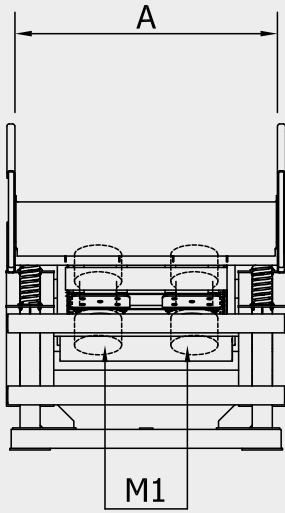
PRESSED WOOD PACKAGING:
PALLET BLOCKS
PRESSED PALLETS



PELLETS & ENERGY:
WOOD PELLETS AND
BLACK PELLETS
GREEN FUELS AND BIOMASS
LIME



WOOD RECYCLING AND
WASTE TREATMENT:
WASTE



M1 = VIBRATING MOTOR

MODEL	OVERALL DIMENSIONS mm***						
	A	B	C	D	E	F	G
VTG**	2000 ÷ 4000	4000 ÷ 4500	500 ÷ 600	1750 ÷ 2000	0° ÷ 10°	A x n° Module	B x n° Module

MODEL	CAPACITY m³/h	POWER kW	WEIGHT kg
		M1	
VTG**	***	7,5 ÷ 15	***

***According to customer needs

**According to dimensions