

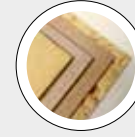
OSCILLATING SCREENS

**SCREENS****TECHNICAL FEATURES**

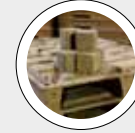
- Robust and rigid supporting pyramids • High precision kinematics • Excellent elastic suspensions • High tech screening boxes assembled with high-quality materials and made with special tried and tested procedures • 1-2-4 Stage screens • 1-4 Screening decks per stage • 2-5 Fractions available • Stainless steel sieves and frames • Auto-cleaning system based on bouncing balls • Fire-extinguishing system • Explosion vents • Extensive eccentric oscillation • Perfect balancing!

**BENEFITS**

- Perfect-absolute classification of any fraction • Quick and easy replacement of the screening frames • Unbeatable performance, efficiency and reliability • 36 months mechanical warranty!

**BEST IN CLASS FOR:**

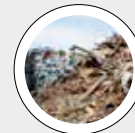
WOOD BASED PANELS:  
MDF/HDF  
PB/SPB  
OSB/LSB/FOSB



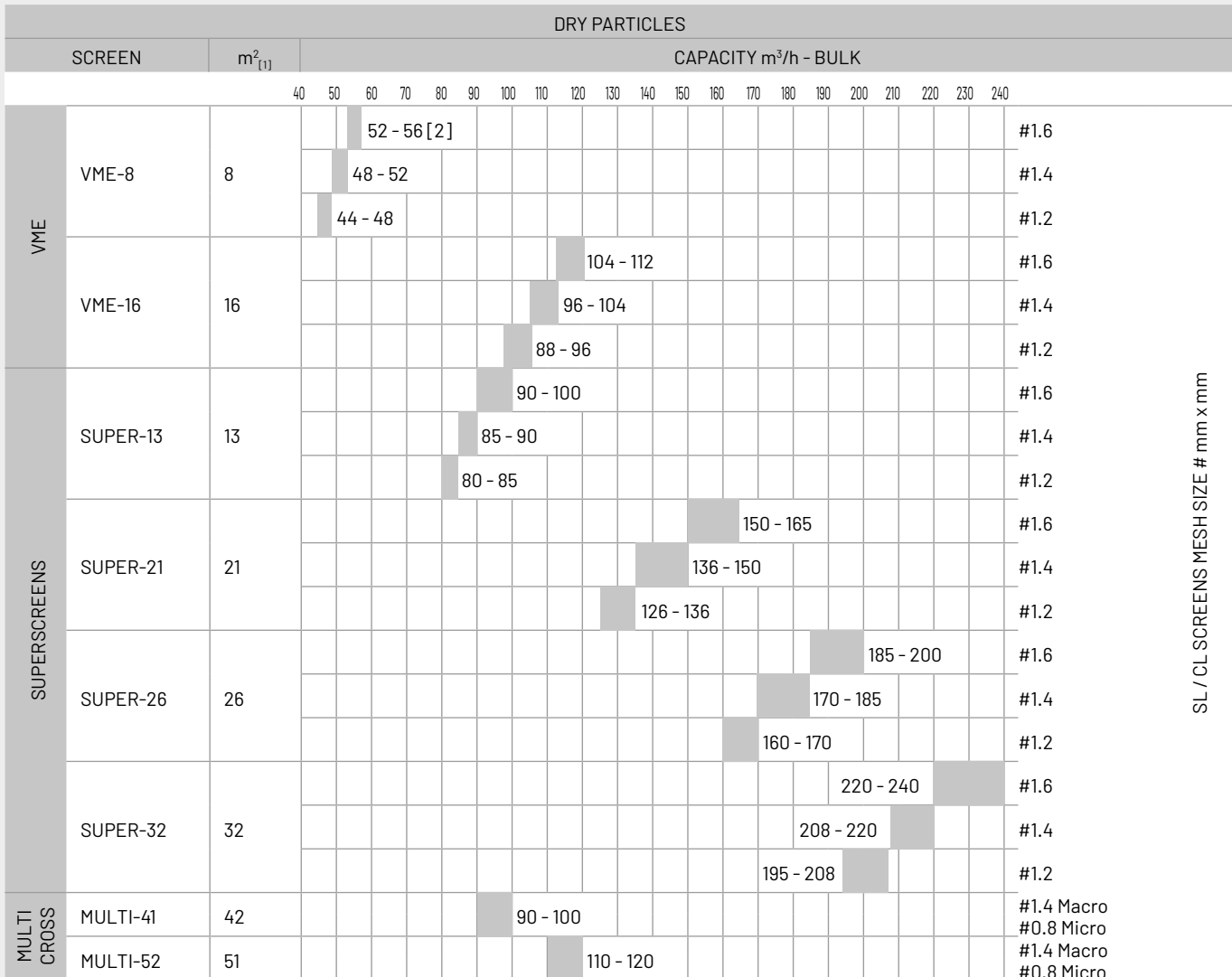
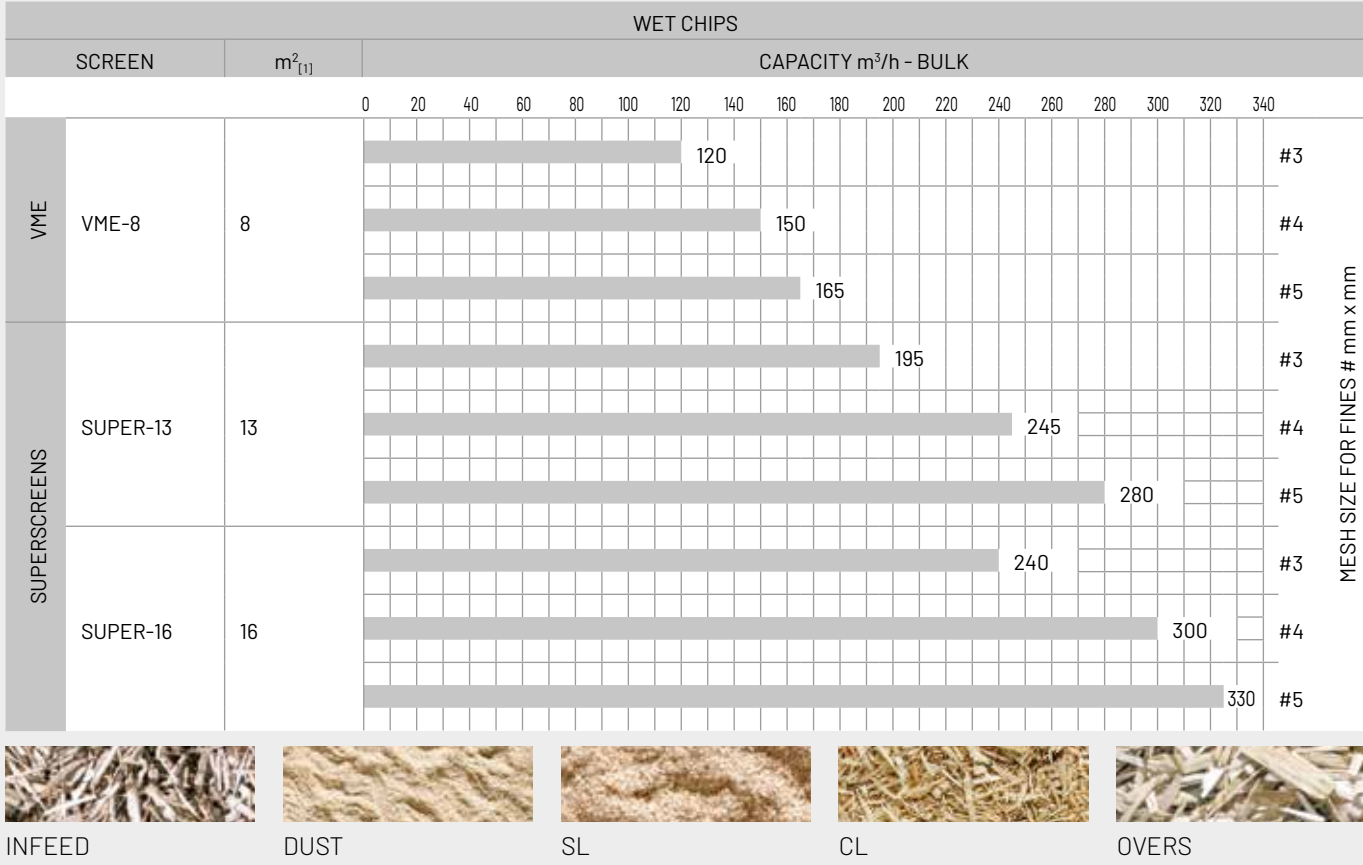
PRESSED WOOD PACKAGING:  
PALLET BLOCKS

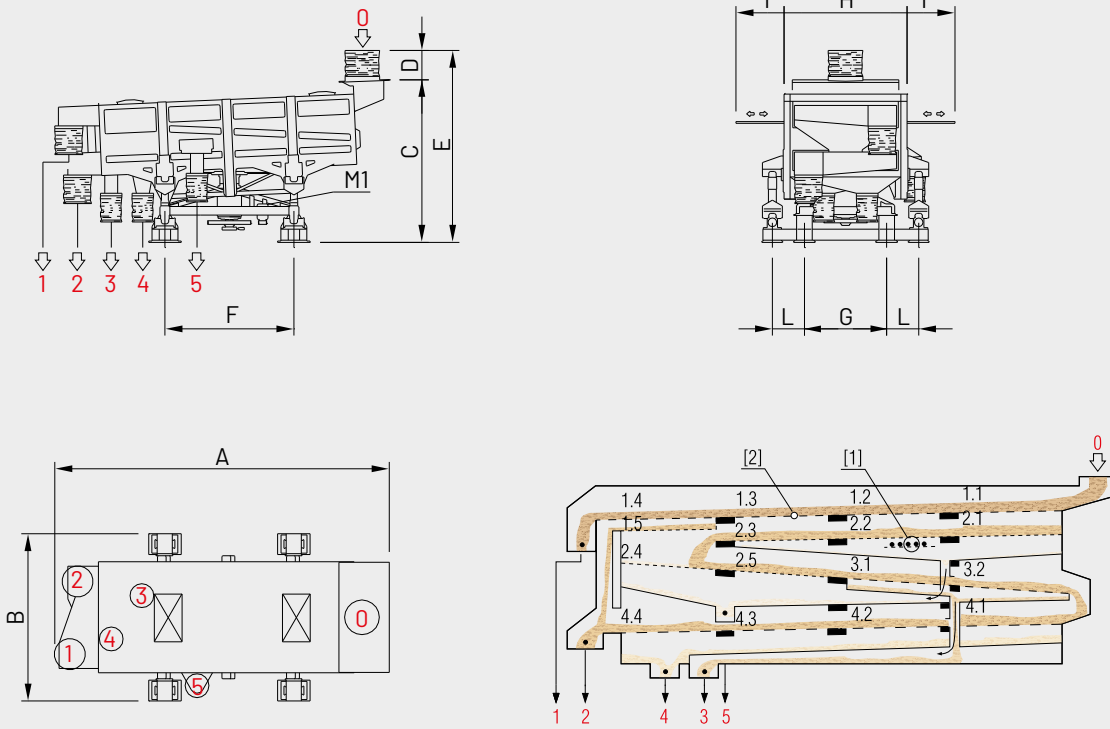


PELLETS & ENERGY:  
WOOD PELLETS AND  
BLACK PELLETS  
LIME



WOOD RECYCLING AND  
WASTE TREATMENT:  
WASTE





0 = FEEDING  
1...5 = FRACTIONS

M1 = SCREENING  
BOX MOVEMENT

[1] AC : Auto-cleaning ball-bouncing system for screens available for all decks  
[2] A wide range of mesh sizes are available for any screening needs

## MULTICROSS 41-52

ZIG-ZAG SCREENS - 41-52 m<sup>2</sup> SCREENING SURFACE

MODEL	OVERALL DIMENSIONS mm										INSTALLED POWER kW	WEIGHT APPROX. kg
	A	B	C	D	E	F	G	H	I	L	M1	
MULTICROSS 41-EJ	7730	3860	3830	600	4430	2980	1900	2560	1250	740	11	16600
MULTICROSS 52-EJ	7850	4300	3830	600	4430	3980	1900	3000	1500	960	15	17700