



• PB • PALLET BLOCKS • PELLETS • WASTE • LIME



IMAL
PAL
GROUP

FEEDERS FOR BULKY MATERIALS

CHAIN-PLATE FEEDERS – TKK.230 / TKK.350

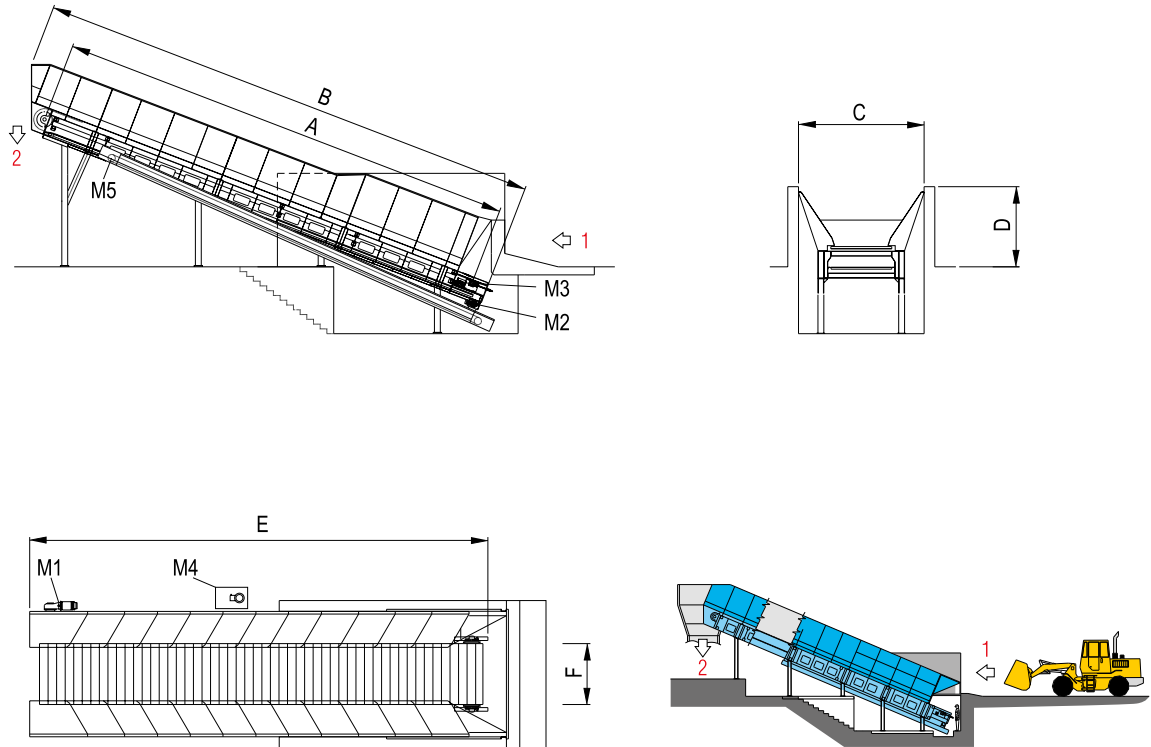
FOR URBAN FOREST MATERIAL

TECHNICAL FEATURES

• Very strong double-roller chain feeder • Moving bed equipped with transverse metal plates, overlapped and sealed by profiled shape • Front shaft fitted with direct transmission • Rear shaft fitted with chain tensioning devices • Self cleaning system with: closed bottom – rear reclaim screw conveyors – reclaim belt conveyor • Automatic lubrication device for chains • High containment walls.

BENEFITS

• Easy loading of urban forest material, such as pallets, crates, cable drums, construction material, demolition furniture, recycled particleboards, etc., bulky or pre-crushed • Very efficient feeding of pre-crushers (Alligator) or Crushers (Tiger) • Except for front loader or crane, operators are required from time to time only • Working speed freely adjustable by using frequency converter • Automatic cleaning and lubrication • High performance • Low maintenance cost.



1= FEEDING
2= DISCHARGE

M1= DOUBLE CHAIN
PLATE-FEEDER

M2= CLEANING SCREW
M3= CLEANING SCREW

M4= LUBRICATION DEVICE
M5= CLEANING BELT

MODEL	OVERALL DIMENSIONS mm					
	A	B	C	D	E	F
TKK.230/1200	12000	14167	4700	3000	14832	2300
TKK.230/1700	17000	18914	4700	3000	17140	2300
TKK.230/2100	21000	23980	4700	3000	20500	2300
TKK.350/1200	12000	13760	5800	3000	13215	3500
TKK.350/1700	17000	18760	5800	3000	17815	3500
TKK.350/2100	21000	23980	5800	3000	20500	3500

MODEL	CAPACITY* BULK m ³ /h	INSTALLED POWER kW					WEIGHT APPROX. kg
		M1*	M2	M3	M4	M5**	
TKK.230/1200	200-230	5,5	0,55	0,55	0,12	2,2	22000
TKK.230/1700	200-230	5,5	0,55	0,55	0,12	2,2	27000
TKK.230/2100	200-230	7,5	0,55	0,55	0,12	2,2	32000
TKK.350/1200	300	5,5-15	0,55	0,55	0,25	2,2	35000
TKK.350/1700	300-350	5,5-15	0,55	0,55	0,25	3,0	44000
TKK.350/2100	300-350	11-15	0,55	0,55	0,25	3,0	50000

*According to feeding material **Reclaim belt for self cleaning system as option