



• PB



## FERROUS METALS REMOVERS

### **NEODYMIUM CAGES – NEODY**

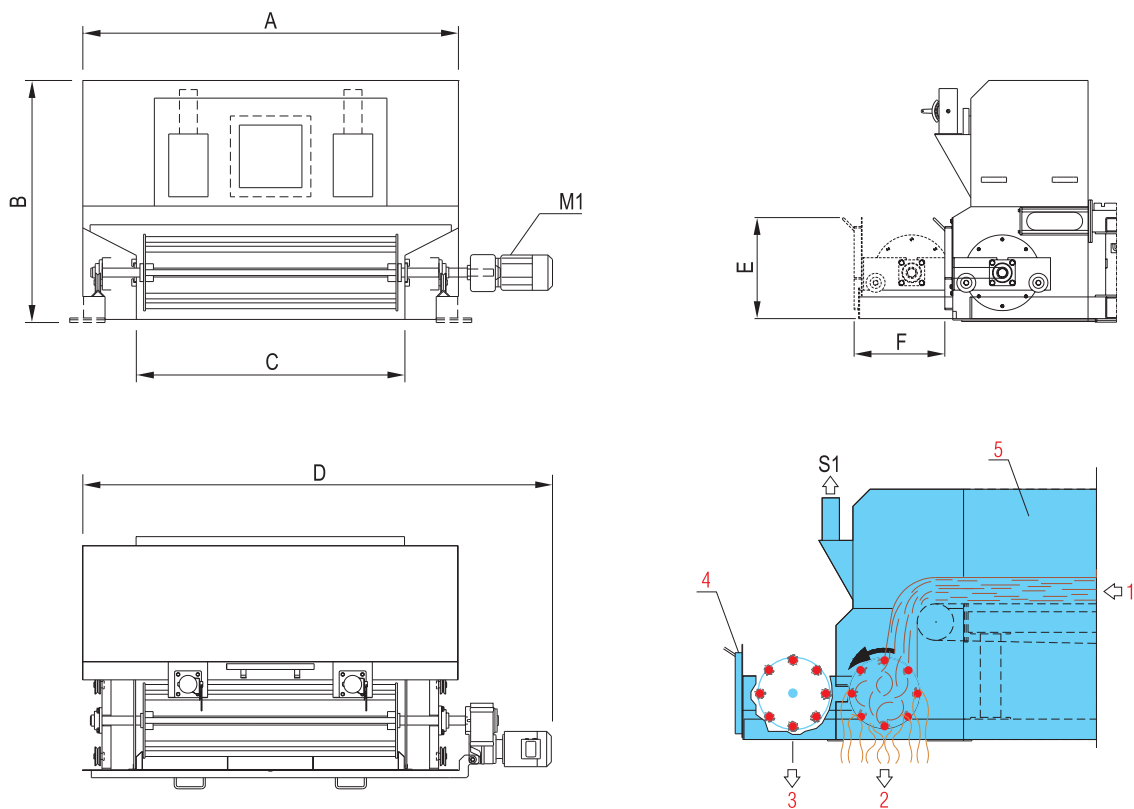
FOR CHIPS, SAWDUST, DUST AND PARTICLES

#### **TECHNICAL FEATURES**

• Rotating cage with neodymium bars • Drive system • Unit can be fitted in the discharge mouths of metering bins or belt scales, e.g. in wet or sticky areas.

#### **BENEFITS**

• Very efficient removal of residual ferrous pollutants and ferrous dust from wet or dry particles, dust, etc. • High protection of steel belts of the continuous presses • Very high efficiency & reliability • Low maintenance.



1= FLOW DIRECTION OF POLLUTED MATERIAL  
 2= CLEANED MATERIAL  
 3= FERROUS METAL REMOVED

4= UNIT MOUNTED IN AN OPENING DRAWER  
 5= BELT SCALE OR DOSING BIN  
 M1= NEODYMIUM STAND DRIVE



2



3

MODEL	OVERALL DIMENSIONS mm					
	A	B	C	D	E	F
NEODY.1200	1698	1350	1100	2225	560	500
NEODY.1600	2098	1350	1400	2625	560	500

MODEL	CAPACITY* m <sup>3</sup> /h	INSTALLED POWER kW M1	SUCTION S1			WEIGHT APPROX. kg
			SUCTION m <sup>3</sup> /h	AIR SPEED m/s	SUCTION PRESSURE Pa	
NEODY.1200	120	2,2	2 x 800	29	200	500
NEODY.1600	380	2,2	2 x 800	29	200	620

\*SL & CL particles