



• MDF • PB • INS. BOARD • PALLET BLOCKS • PELLETS • WASTE • LIME

PAL

IMAL
PAL
GROUP

FERROUS METALS REMOVERS

MAGNETIC TRAPS – MT

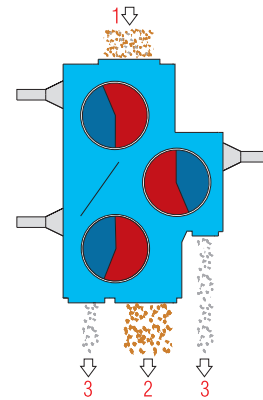
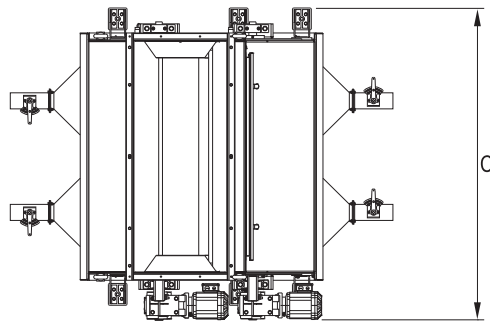
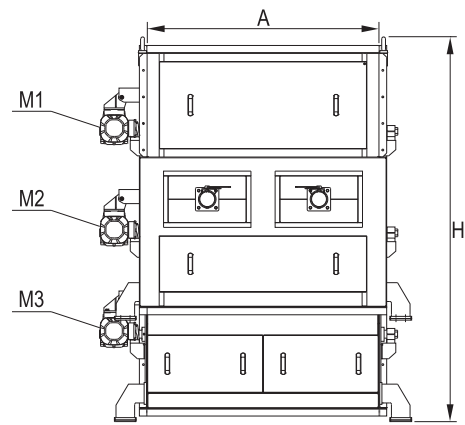
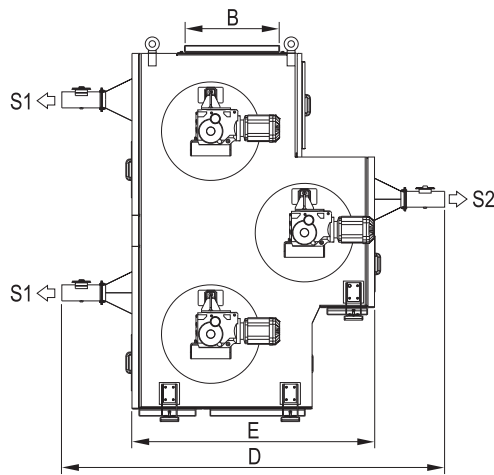
FOR CHIPS, SAWDUST AND PARTICLES

TECHNICAL FEATURES

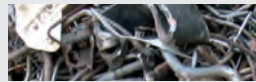
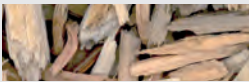
• Cascade of three magnetic drums • Drive systems • Assembled unit complete of containment box.

BENEFITS

• Very high efficiency and reliability • Excellent removal of ferrous pollutants from chips, sawdust, particles, etc.
• Simple installation • Very low maintenance.



1 = POLLUTED MATERIAL 3 = FERROUS METAL REMOVED
 2 = CLEANED MATERIAL M1-M2-M3 = MAGNETIC DRUM ROTATION



2

3

MODEL	OVERALL DIMENSIONS mm					
	A	B	C	D	E	H
MT.2.500/100-HG(VHG)	1185	600	1700	2338	1450	1965
MT.2.500/150-HG(VHG)	1685	600	2200	2338	1450	1965
MT.2.500/220-HG(VHG)	2385	600	2900	2338	1450	1965
MT.2.600/100-HG(VHG)	1185	700	1700	2538	1650	2165
MT.2.600/150-HG(VHG)	1685	700	2200	2538	1650	2165
MT.2.600/220-HG(VHG)	2385	700	2900	2538	1650	2165
MT.3.500/100-HG(VHG)	1185	600	1700	2453	1555	2465
MT.3.500/150-HG(VHG)	1685	600	2200	2453	1555	2465
MT.3.500/220-HG(VHG)	2385	600	2900	2453	1555	2465
MT.3.600/100-HG(VHG)	1185	700	1700	2653	1755	2765
MT.3.600/150-HG(VHG)	1685	700	2200	2653	1755	2765
MT.3.600/220-HG(VHG)	2385	700	2900	2653	1755	2765

() Options

MODEL	CAPACITY BULK CHIPS m ³ /h	INSTALLED POWER kW			SUCTIONS m ³ /h		WEIGHT APPROX. kg
		M1	M2	M3	S1	S2	
MT.2.500/100-HG(VHG)	245	1,5	1,5	-	2x710	2x710	1980
MT.2.500/150-HG(VHG)	370	1,5	1,5	-	2x710	2x710	2880
MT.2.500/220-HG(VHG)	540	1,5	1,5	-	3x710	3x710	3700
MT.2.600/100-HG(VHG)	245	1,5	1,5	-	2x710	2x710	2600
MT.2.600/150-HG(VHG)	370	1,5	1,5	-	2x710	2x710	3700
MT.2.600/220-HG(VHG)	540	1,5	1,5	-	3x710	3x710	5100
MT.3.500/100-HG(VHG)	295	1,5	1,5	1,5	2x710	2x710	3280
MT.3.500/150-HG(VHG)	440	1,5	1,5	1,5	2x710	2x710	4620
MT.3.500/220-HG(VHG)	650	1,5	1,5	1,5	3x710	3x710	5850
MT.3.600/100-HG(VHG)	295	1,5	1,5	1,5	2x710	2x710	4200
MT.3.600/150-HG(VHG)	440	1,5	1,5	1,5	2x710	2x710	5850
MT.3.600/220-HG(VHG)	650	1,5	1,5	1,5	3x710	3x710	7950