



• MDF • PB • INS. BOARD • PALLET BLOCKS • PELLETS • WASTE • LIME



## ALL METALS REMOVERS

### **METAL KILLER – MK**

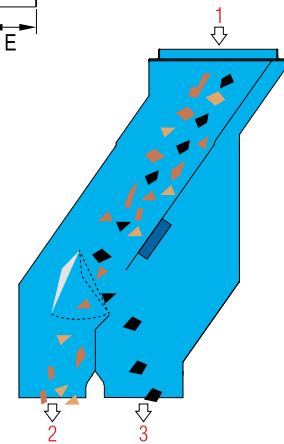
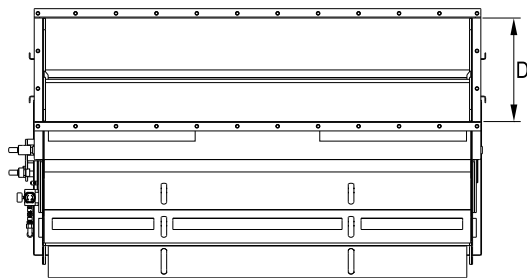
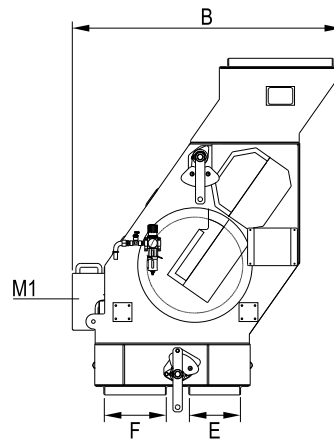
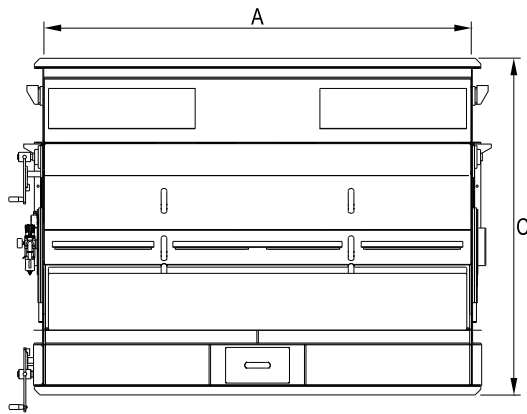
PATENTED

#### **TECHNICAL FEATURES**

• Feeding & spreading unit • Slide with one set of inductive sensors revealing metals • One rotor with selectable gates to throw out metals • One set of motorized gates for pollutants discharge • Assembling unit • Electrical panel including frequency converters and PLC to control gates timing.

#### **BENEFITS**

• Removal of all kind of metals • Very high efficiency • Compact lay-out • Very low power consumption • No service equipment needed (i.e. compressed air).



1 = POLLUTED MATERIAL      3 = METAL REMOVED  
 2 = CLEANED MATERIAL      M1 = PNEUMATIC ACTUATOR



2

3

MODEL	OVERALL DIMENSIONS mm					
	A	B	C	D	E	F
<b>MK.1.120</b>	1130	1432	1700	550	265	320
<b>MK.1.160</b>	1630	1432	1790	550	265	320
<b>MK.1.220</b>	2275	1432	1790	550	265	320

MODEL	CAPACITY BULK CHIPS m <sup>3</sup> /h	WEIGHT APPROX. kg
<b>MK.1.120</b>	80	1200
<b>MK.1.160</b>	120	1600
<b>MK.1.220</b>	160	1900