



• MDF • PB • INS. BOARD • PALLET BLOCKS • PELLETS • WASTE • LIME



NON FERROUS METALS REMOVERS

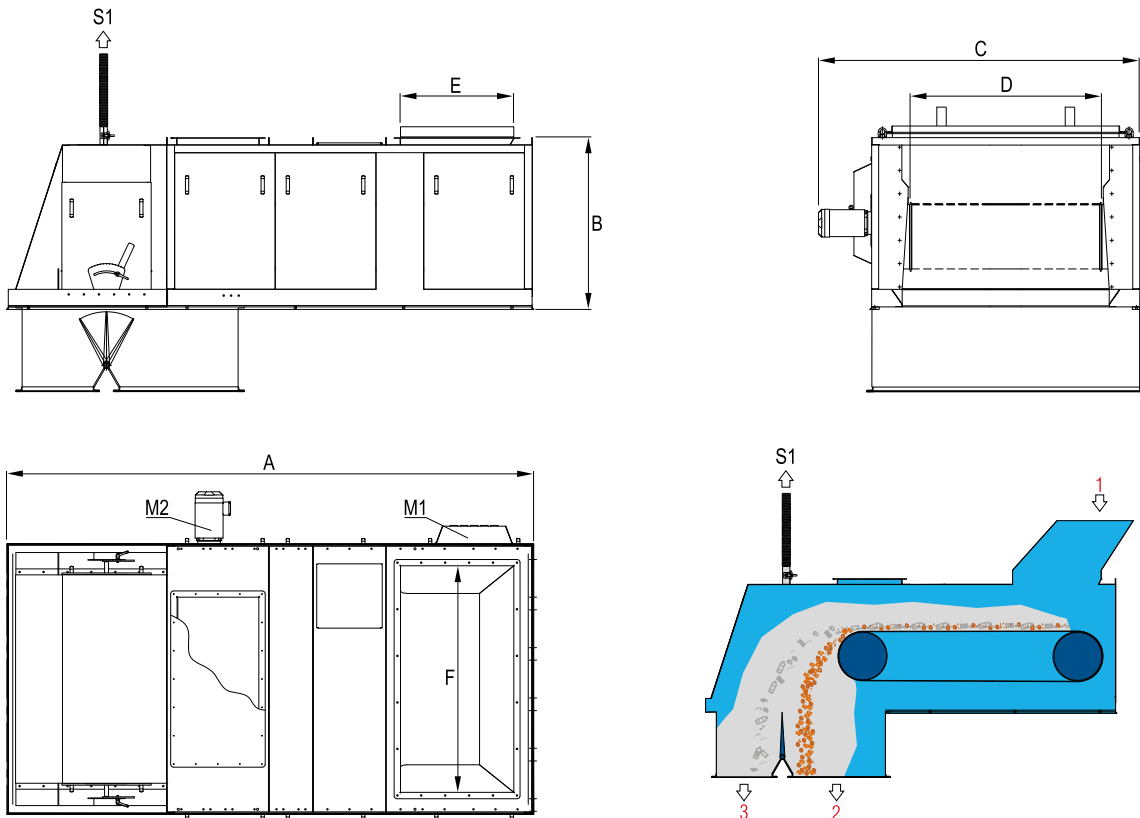
EDDY CURRENT SEPARATORS

TECHNICAL FEATURES

• Feeding & spreading unit (Option) • Large belt conveyor fitted with ultra-strong induction drum • Magnetic plates & dust drawer to keep the belt clean • Drive systems for belt and induction drum • Assembled unit • Electrical cabinet including frequency converters and PLC.

BENEFITS

• Removal of coarse non-ferrous metals from chips • Great production capacity • Unbeatable efficiency and reliability • Low maintenance.



1 = POLLUTED MATERIAL
2 = CLEANED MATERIAL

3 = NON FERROUS METAL REMOVED
M1-M2 = MAIN MOTOR



2



3

MODEL	OVERALL DIMENSIONS mm					
	A	B	C	D	E	F
ECS 100/220	4160	1340	2000	1000	900	1300
ECS 150/220	4160	1340	2550	1500	900	1800
ECS 200/220	4160	1340	3050	2000	900	2300
ECS 250/300	5180	1340	3510	2500	900	2800

MODEL	CAPACITY m ³ /h	INSTALLED POWER kW		ELECTRIC CUBICLE				SUCTION S1		WEIGHT APPROX. kg
		M1	M2					SUCTION m ³ /h	SUCTION PRESSURE Pa	
ECS 100/220	80	2,2	4	HEIGHT 2100 mm	WIDTH 800 mm	DEPTH 400 mm	WEIGHT 150 kg	2x800	2x100	2000
ECS 150/220	130	3	5,5					2x800	2x100	2500
ECS 200/220	180	3	5,5					2x800	2x100	3300
ECS 250/300	220	3	7,5					2x800	2x100	6500