



• MDF • PB • PALLET BLOCKS



IMAL
PAL
GROUP

WET CHIPS CLEANERS

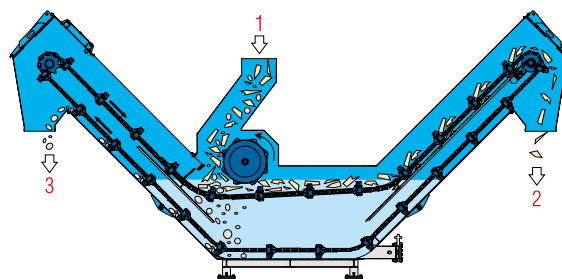
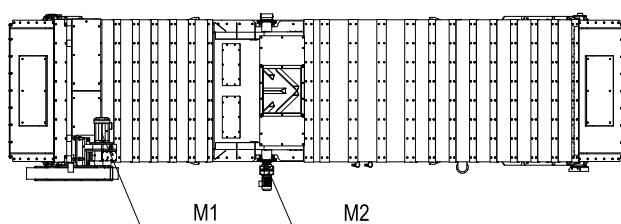
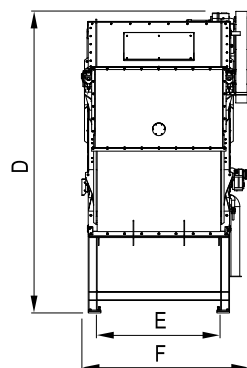
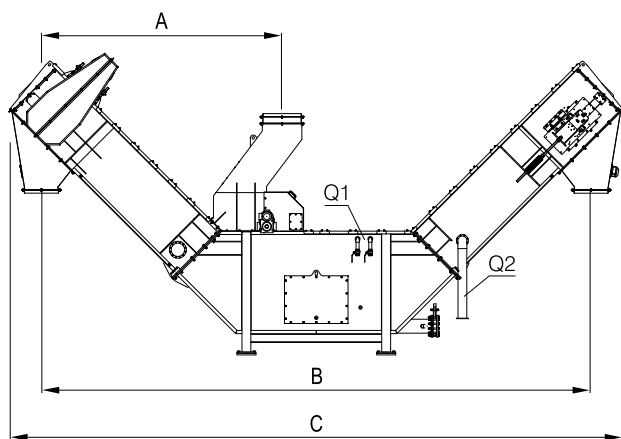
WATER PIT

TECHNICAL FEATURES

• Wet cleaning system suitable to remove heavy pollutants out of the oversize chips • Working principle based on difference in bulk density of infeed materials • Chips flow is fed into a water pit where lighter materials float while the heavier pollutants such as stones, metals, etc. fall down and are removed by a chain conveyor • On the opposite side the same conveyor removes the floating material, wood, etc. after draining.

BENEFITS

• Recovery of clean oversize chips to production • High reliability • Very low maintenance cost • Low energy consumption.



1= POLLUTED CHIPS
2= CLEAN CHIPS

3= HEAVY POLLUTANTS
Q1= FILLING WATER

Q2= SAFETY DRAIN
TUBE

M1= CHAIN MOTOR
M2= ROTOR MOTOR

MODEL	OVERALL DIMENSIONS mm					
	A	B	C	D	E	F
WP.1000	3788	8653	9665	4632	1000	1635
WP.2000	3788	8653	9665	4632	2000	2635

MODEL	CAPACITY BULK CHIPS		WATER CONSUMPTION l/min - top	INSTALLED POWER kW		WEIGHT APPROX. kg
	m ³ /h	t/h*		M1	M2	
WP.1000	29	4,4	30	4	2,2	10000
WP.2000	58	8,7	60	5,5	3	12600

*With bulk density 150 kg/m³ b.d.