



• MDF • PB • OSB PALLET BLOCKS • PELLETS • WASTE • LIME



OSCILLATING SCREENS

HYDROSTATIC SCREENS

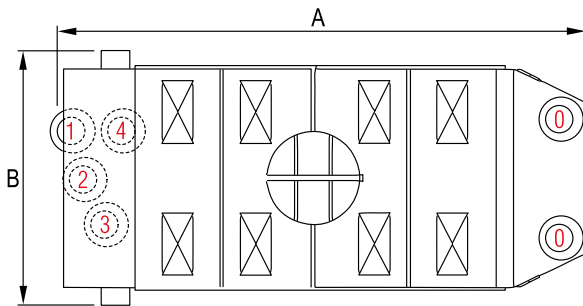
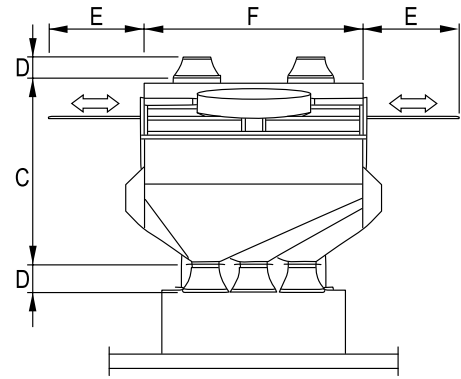
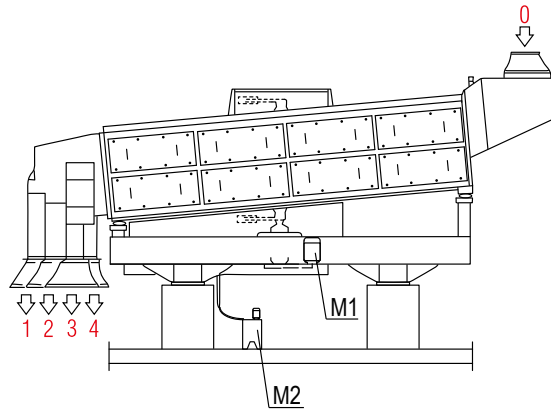
PATENTED

TECHNICAL FEATURES

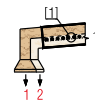
• Completely innovative, light and modular construction • System of hydraulic suspension and low friction coefficient for the screen housing support • Upper and lower balancers with rotating counterweight that provides the structure only with a rotating motion and eliminates any "pitching" problems • Controlled and adjustable rotary movement of the screen housing • The machine can have one or two screening stages, each containing up to 4 sieve lines • From 2 to 5 fractions of sieved material are obtainable • The sieves are made from stainless steel • Flexible charging and discharging hoses on the storage hoppers for connection to the related conveyors outside the sieve • In the sieve holder there are no fire and explosion ignition sources.

BENEFITS

• Unusual or special conveyors are not required • The hydrostatic suspensions are more durable, efficient and cheaper than traditional systems with elastic parts • Very low maintenance costs • Minimum installed power loading • Light foundations required • Very high screening performance thanks to the high rotation speed • Simple and rapid replacement of sieves.

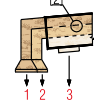


1 Deck



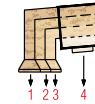
2 Fractions

2 Decks



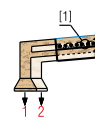
3 Fractions

3 Decks



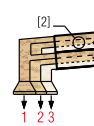
4 Fractions

1 Double Deck



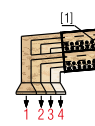
2 Fractions

2 Double Decks



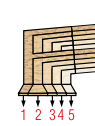
3 Fractions

3 Double Decks



4 Fractions

4 Double Decks



5 Fractions

0 = FEEDING
1...4 = FRACTIONS

M1 = SCREEN ELECTRIC MOTOR
M2 = HYDROSTATIC SUSPENSIONS POWER PACK

MODEL standard types	NET SCREENING SURFACE FOR EACH FRACTION m ²	CAPACITY for screens mesh size		
		1,2x1,2 mm (m ³ /h)	1,4x1,4 mm (m ³ /h)	1,6x1,6 mm (m ³ /h)
HD 5	5	27,5 - 30	30 - 32,5	32,5 - 35
HD 8	8	44 - 48	48 - 52	52 - 56
HD 16	16	88 - 96	96 - 104	104 - 112
HD 21	21	126 - 136	136 - 150	150 - 165
HD 26	26	160 - 170	170 - 185	185 - 200
HD 32	32	195 - 208	208 - 220	220 - 240

MODEL	STAGE OF SIEVING Nr.	FRACTIONS AVAILABLE Nr.	OVERALL DIMENSIONS mm						INSTALLED POWER kW		WEIGHT APPROX kg
			A	B	C	D	E	F	M1	M2	
HD 5	1	2 - 3	4800	2100	1480	300	1350	2000	1,5	-	2800
HD 8		2 - 4	6000	2800	2060	300	1300	2700	2,2	0,18	4000
HD 13		2 - 4	7770	3700	2100	300	1550	3165	4	0,18	5500
HD 16		2 - 3	7770	4450	2100	300	1900	3915	4	0,18	8500
HD 16	2	2 - 4 5 = Special	6550	3260	2550	300	1300	2725	4	0,18	8500
HD 21			7770	3260	2700	300	1300	2725	5,5	0,18	9500
HD 26			7770	3700	2700	300	1550	3165	7,5	0,18	10900
HD 32			7770	4450	2700	300	1900	3915	7,5	0,18	12000