



• MDF • PB • OSB • PALLET BLOCKS • PELLETS • WASTE • LIME



OSCILLATING SCREENS

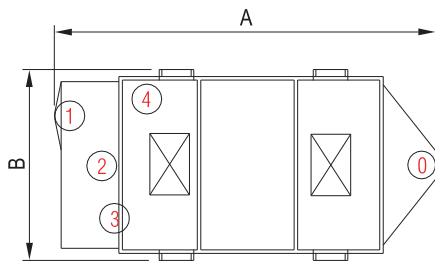
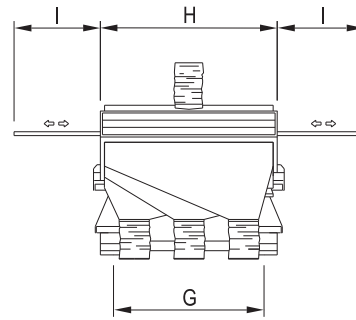
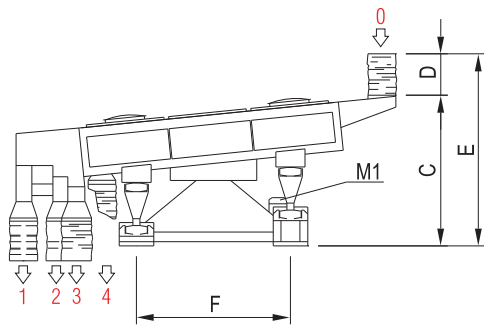
SCREENS

TECHNICAL FEATURES

• Robust and rigid supporting pyramids • High precision kinematics • Excellent elastic suspensions • High tech screening boxes assembled with high-quality materials and made with special tried and tested procedures • 1-2-4 Stage screens • 1-4 Screening decks per stage • 2-5 Fractions available • Stainless steel sieves and frames • Auto-cleaning system based on bouncing balls • Fire-extinguishing system • Explosion vents • Extensive eccentric oscillation • Perfect balancing!

BENEFITS

• Perfect-absolute classification of any fraction • Quick and easy replacement of the screening frames • Unbeatable performance, efficiency and reliability • 36 months mechanical warranty!



0= FEEDING
1...4= FRACTIONS

M1= SCREENING
BOX MOVEMENT

FOR DRY PARTICLES

1 Deck



2 Fractions
VME-1P-8-EJ-...

2 Decks



3 Fractions
VME-2P-8-EJ-...

3 Decks



4 Fractions
VME-3P-8-EJ-...

4 Decks



5 Fractions
VME-4P-8-EJ-...

FOR CHIPS

1 Deck



2 Fractions
VME-1P-8-EJ-...

2 Decks



3 Fractions
VME-2P-8-EJ-...

3 Decks



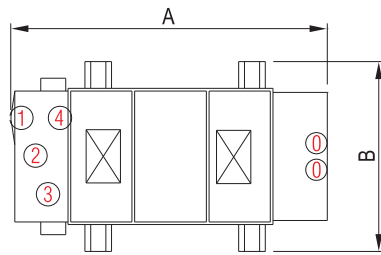
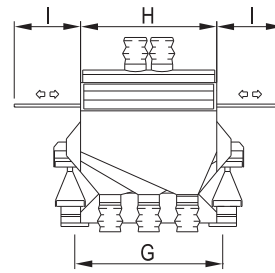
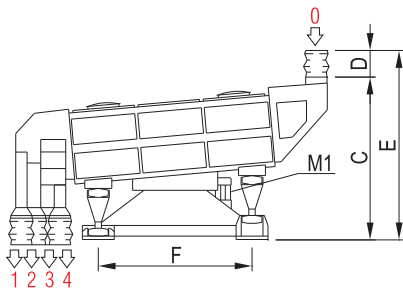
4 Fractions
VME-3P-8-EJ-...

[1] AC: Auto-cleaning ball-bouncing system for screens available for all decks.
[2] A wide range of mesh sizes are available for any screening needs.

VME-8

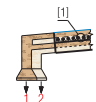
1-STAGE SCREENS - 8 m² EACH DECK

MODEL	OVERALL DIMENSIONS mm									INSTALLED POWER kW	WEIGHT APPROX. kg
	A	B	C	D	E	F	G	H	I	M1	
VME-1P-8-EJ	5105	2760	1990	600	2590	2230	2180	2560	1250	5,5	5000
VME-2P-8-EJ	5110	2760	2180	600	2780	2230	2180	2560	1250	5,5	5350
VME-2P-8-CHIPS-EJ	5240	2760	2120	600	2720	2230	2180	2560	1250	5,5	5350
VME-3P-8-EJ	5615	2760	2480	600	2080	2230	2180	2560	1250	5,5	6100
VME-4P-8-EJ	5565	2760	2496	600	3096	2230	2180	2560	1250	5,5	6150



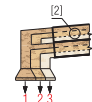
FOR DRY PARTICLES

1 Double Deck



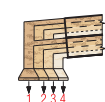
2 Fractions
VME-DP-1P-16-EJ-...

2 Double Decks



3 Fractions
VME-DP-2P-16-EJ-...

3 Double Decks



4 Fractions
VME-DP-3P-16-EJ-...

[1] AC: Auto-cleaning ball-bouncing system for screens available for all decks.
[2] A wide range of mesh sizes are available for any screening needs.

0= FEEDING
1...4= FRACTIONS

M1= SCREENING
BOX MOVEMENT

VME-16

2-STAGE SCREENS - 16 m² EACH DOUBLE DECK

MODEL	OVERALL DIMENSIONS mm									INSTALLED POWER kW	WEIGHT APPROX. kg
	A	B	C	D	E	F	G	H	I		
VME-DP-1P-16-EJ	5415	2760	2450	500	2950	2230	2180	2560	1250	5,5	6500
VME-DP-2P-16-EJ	5975	3570	2800	500	3300	2890	2780	2560	1250	7,5	10250
VME-DP-3P-16-EJ	5950	3570	3080	500	3580	2890	2780	2560	1250	7,5	11000