



• MDF • PB • INS. BOARD • PALLET BLOCKS • PELLETS • WASTE • LIME



ROLL SCREENS

DYNASCREEN

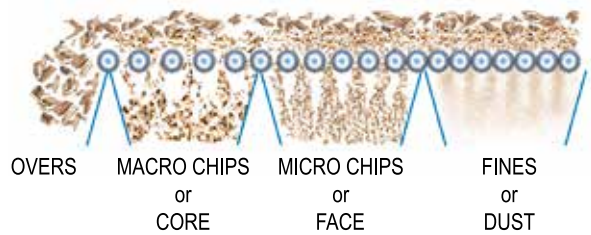
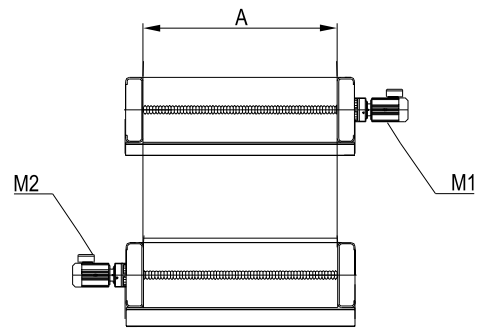
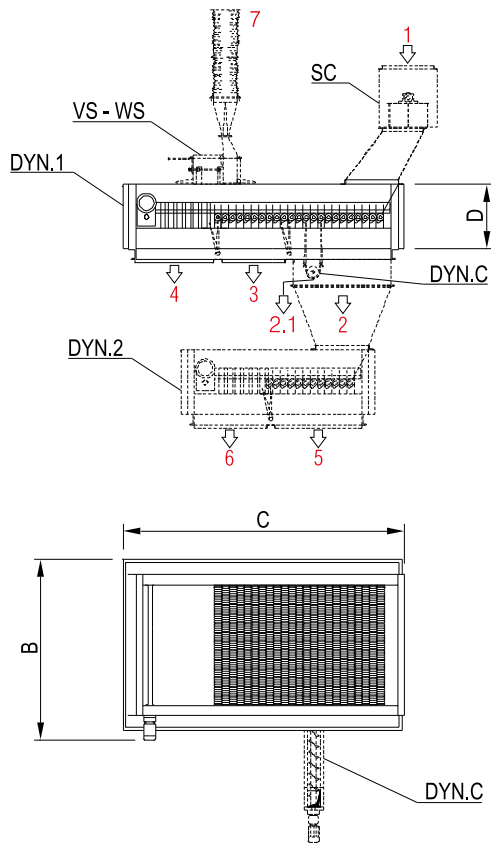
FOR WET & DRY CHIPS, SAWDUST, SHAVINGS AND PARTICLES - PATENTED

TECHNICAL FEATURES

- Feeding conveyor for distribution across
- W-Rolls to remove very fine and dusty material
- V-Rolls to remove flakes and micro chips
- D-Rolls to remove oversize pieces
- Chrome plating or nitriding of W & V profiles
- Two side bearings and transmissions
- Devices for setting gaps easily and freely
- Single or double screening deck/s
- Discharge flap for each fraction, to be freely positioned
- Separation from 2 to 5-6 fractions
- Integrated suction unit to remove dust, fiber, paper and plastic foils, etc.
- VS system for intermediate suction
- WS system for final suction
- Devices for free setting of suction speed
- Integrated system for removal of a minor fraction highly contaminated from heavy pollutants
- Specialized shape of roll profile
- Extracting screw conveyor for the polluted fraction
- Patented.

BENEFITS

- Zigzag channeling effect from interlocking W & V rolls: aligns the flow along the W & V gaps – improves particle vibration and screening efficiency
- W & V roll profiles: ensures better calibration of particle thickness – ensures better calibration of particle length
- VS & WS Dynasifter: easy application any time – excellent dedusting and removal of light pollutants such as fiber, paper and plastic foils, etc.
- All gaps and discharge flaps freely adjustable: enables easy changing of fraction size – enables easy variation of number of fractions
- Absolutely free from plugging and/or blockages
- Very easy setting of screening parameters
- High efficiency and reliability
- Low maintenance.



SC= DOSING SCREW CONVEYOR
 DYN.1= 1-DECK DYNASCREEN
 DYN.2= 2-DECKS DYNASCREEN
 VS/WS= DYNASIFTER (OPTION)
 DYN.C= DYNACLEANER (OPTION)
 M1-M2= ROLLS ROTATION

1= FEEDING
 2...6= ACCEPTED FRACTIONS
 2.1= FRACTION WITH HEAVY POLLUTANTS
 7= PAPER & PLASTIC FOLLS



OVERS



MACRO



MICRO



FINES



W-ROLLS



V-ROLLS



D-ROLLS

MODEL	OVERALL DIMENSIONS mm				CAPACITY m ³ /h	INSTALLED POWER kW	WEIGHT kg
	A	B	C	D		M1	
DYN.-1800/7000-1000	1000	2000	1800-7000	1050	According to type of material and number of rolls	3-7,5	According to number of rolls
DYN.-1800/7000-1500	1500	2500	1800-7000	1050		3-7,5	
DYN.-1800/10000-2200	2200	3200	1800-10000	1050		3-7,5	