



• PB • PALLET BLOCKS • PRESSED PALLETS • PELLETS • LIME



IMAL
PAL
GROUP

ROLL SCREENS

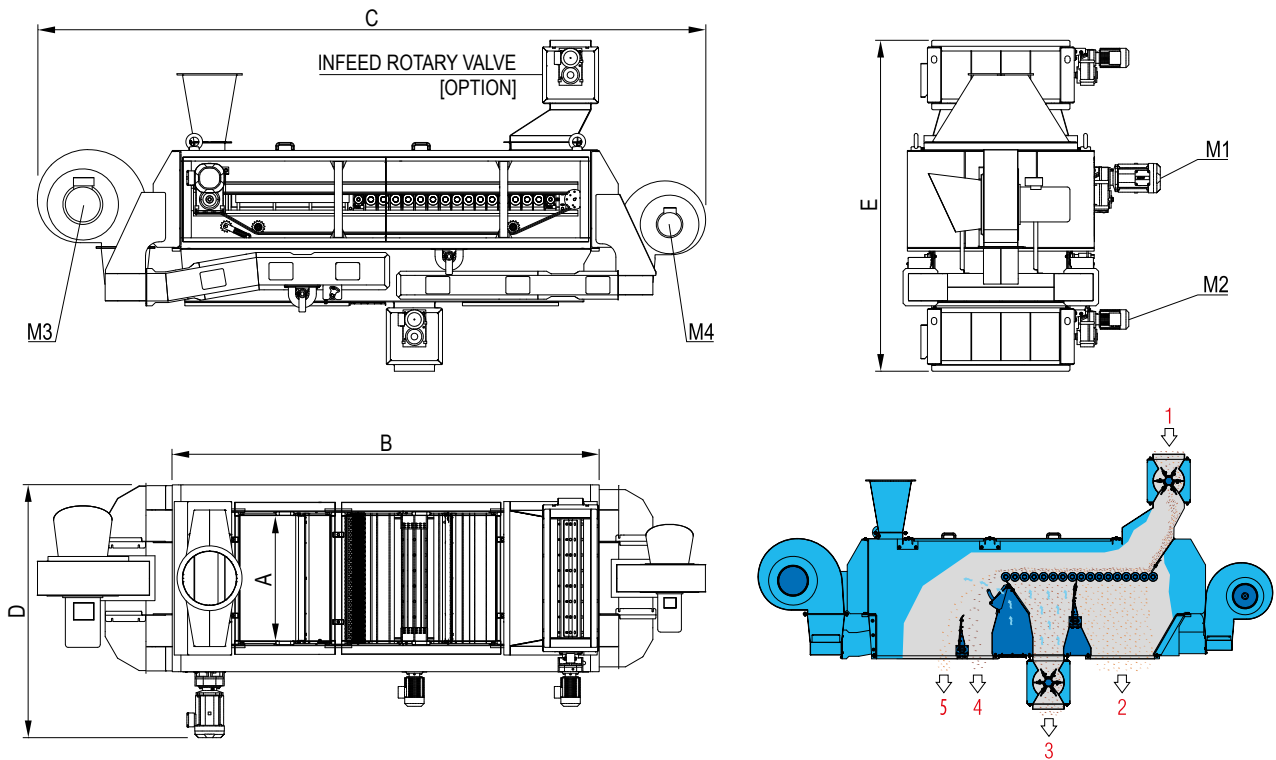
DYN-AIR
PATENTED

TECHNICAL FEATURES

- Compact design • V-Rolls to remove heavy fines • Chrome plating or nitriding of V profiles • Blower to remove heavy material from accepted wood • Two side bearings and transmissions • Devices for setting gaps easily and freely • Specialized shape of roll profile • Fan and belt motor regulated by frequency converter • Patented.

BENEFITS

- Heavy material removal (stones, glass, heavy plastic, etc...) from chips flow by rolls and air blowing • Zigzag channeling effect from interlocking W & V rolls: aligns the flow along the W & V gaps • All gaps and discharge flaps freely adjustable: enables easy changing of fraction size • Absolutely free from plugging and/or blockages.



1= FEEDING
2= FINES
3= HEAVY MATERIAL

4= HEAVY OVERSIZE
5= CLEANED MATERIAL

M1= MOTOR FOR ROLL
M2= DISCHARGE ROTARY VALVE MOTOR

M3= MOTOR FOR BLOWER FAN
M4= MOTOR FOR ROLL FAN

MODEL	OVERALL DIMENSIONS APPROX. mm				
	A	B	C	D	E
DYN.AIR-3200/5000-1000	1000	3200-5000	5000-6800	1930	2500
DYN.AIR-3200/7000-1500	1500	3200-7000	5000-8800	2430	2500
DYN.AIR-3200/7000-2200	2200	3200-7000	5000-8800	3130	2500

MODEL	INSTALLED POWER kW				CAPACITY BULK CHIPS m ³ /h	NET WEIGHT APPROX. kg	EXHAUST AIR m ³ /h
	M1	M2	M3	M4			
DYN.AIR-3200/5000-1000	4-7,5	1,5	2,2	5,5	According to type of material and number of rolls	According to number of rolls	6000-8000
DYN.AIR-4000/7000-1500	5,5-7,5	2,2	2,2	5,5			9000-12000
DYN.AIR-4000/7000-2200	5,5-7,5	3	2,2 x 2	11			13000-18000