



• PELLETS



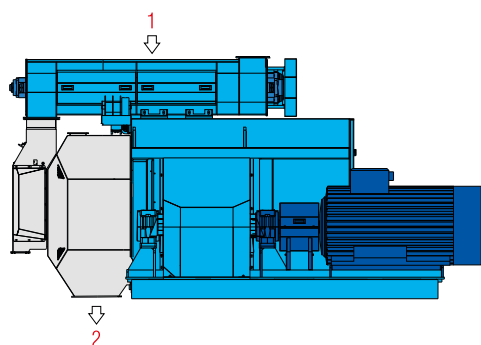
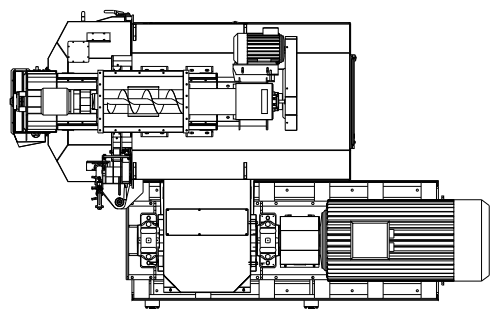
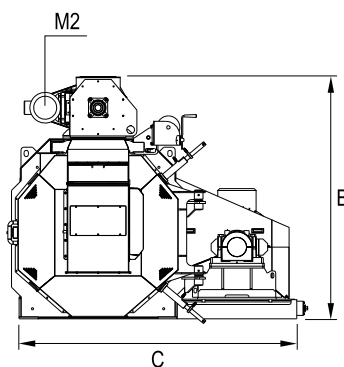
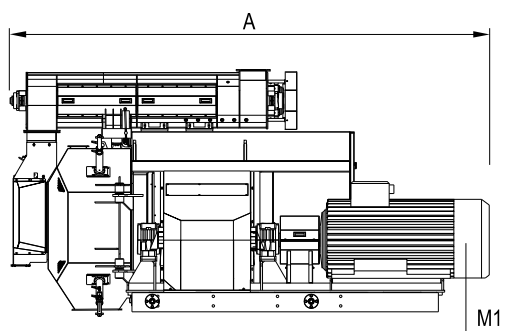
## DYNAPELLETPRESS

### TECHNICAL FEATURES

- Die diameter up to 1200 mm • Die width up to 180 mm • Main structure made in considerable steel thickness
- Driving pulley installed on a countershaft between two separate support, coupled to the main motor by an elastic-block coupling
- Machine door entirely made in stainless steel inox AISI 304, with two knives
- Feed chute made in stainless steel inox AISI 304 with choke with quick dump controlled by a pneumatic cylinder
- A permanent magnet is fitted in the chute to avoid ferrous metal entering in the die
- Rotor group composed of a die holder mounted on the main shaft by means of two bearings able to withstand high work loads and high temperature
- Segmented die clamp makes bolt alignment easy, facilities fast die change
- Main shaft mounted on the basement by means of bronze bushes
- Bearings lubrication is guarantee from an internal circuit that work also when machine is working
- Pellet mill is driven by an electric motor via a V-belt transmission.

### BENEFITS

- Constant production quality
- Less generation of Dust and broken pellets
- Longer life time of dies and pressure rolls, because there is no friction/cutting effect
- Higher capacity can be possible by increasing dies rolls diameter and holes track width
- Less specific energy consumption 88 kWh/t in a medium pellet press capacity.



1= FEEDING  
2= DISCHARGE

M1= MAIN MOTOR  
M2= SCREW MOTOR

MODEL	DIAMETER mm	DIE TRACKS mm	OVERALL DIMENSIONS mm			CAPACITY MATERIAL* t/h		INSTALLED POWER kW		WEIGHT APPROX. without motor kg.
			A	B	C	SOFT	HARD	M1	M2	
<b>DPP.500</b>	500	60	4400	2045	2300	1.3 - 1.5	1 - 1.2	110 - 132	5.5	6000
<b>DPP.630</b>	630	80	4400	2045	2450	2.1 - 2.6	1.6 - 2	200 - 250	5.5	9000
<b>DPP.750</b>	750	95	4500	2245	2550	2.8 - 3.5	2.2 - 2.7	250 - 315	5.5	13000
<b>DPP.835</b>	835	125	4500	2245	2750	4.8 - 5.4	3.9 - 4.4	315 - 355	11	16000
<b>DPP.950</b>	950	153	4972	2525	2900	7.1 - 8	6 - 6.8	400 - 450	11	22000
<b>DPP.1200</b>	1200	180	5400	2900	3500	10 - 12.5	8 - 10	500 - 630	11	32000

\*Based on Ø 6 mm Pellet