



• MDF • PB • OSB/LSB • PALLET BLOCKS • PRESSED PALLETS • PELLETS • BIOMASS ENERGY



IMAL
PAL
GROUP

DEBARKERS

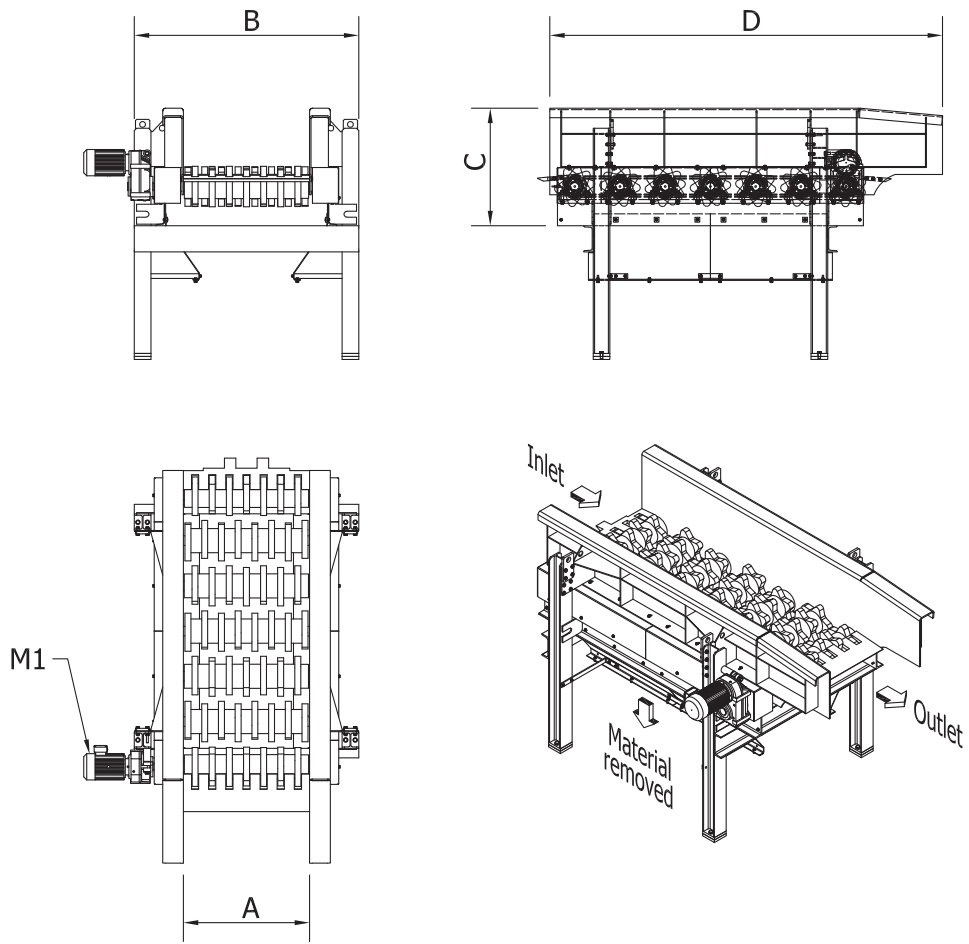
CAM CLEANERS – CSC

TECHNICAL FEATURES

• Screening bed of steel star shaft, with cams design section for barks and other pollutant exhaust • Bearing maintenance-free and transmission system • Working speed according to chipping train • Reversible flow direction when needed.

BENEFITS

• Excellent removal of barks and other pollutant material, also snow in winter time • Low maintenance cost • Adjustable working speed.



MODEL	OVERALL DIMENSIONS mm ***				
	A	B	C	D	N° rollers
CSC 08.26-7R	860	1700	900 ÷ 1400	3300	7
CSC 10.26-7R	1060	1900	900 ÷ 1400	3300	7
CSC 12.26-7R	1260	2100	900 ÷ 1400	3300	7
CSC 14.26-7R	1460	2300	900 ÷ 1400	3300	7
CSC 16.26-7R	1660	2500	900 ÷ 1400	3300	7

MODEL	CAPACITY m ³ /h	POWER kW	WEIGHT kg
		M1	
CSC 08.26-7R	200	4 ÷ 7,5	3500 ÷ 4500
CSC 10.26-7R	300		
CSC 12.26-7R	500		
CSC 14.26-7R	600		
CSC 16.26-7R	700		

***According to customer needs