



• MDF • PB • OSB/LSB



IMAL  
PAL  
GROUP

## DEBARKERS

### DEBARKERS DRUMS – DDG

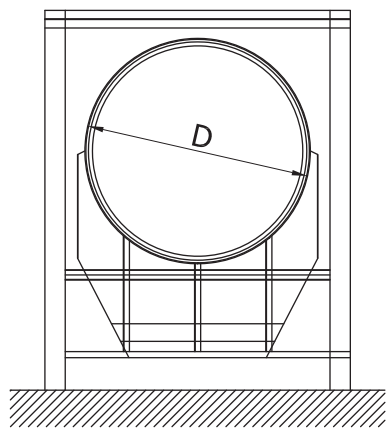
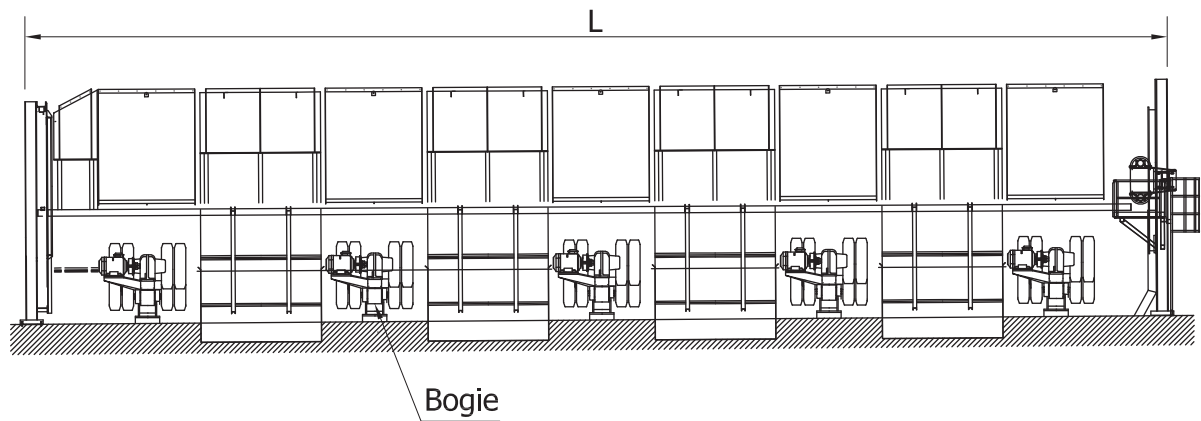
The Drum DeBarker is an extremely heavy and robust and low maintenance construction machine. Conceived to debark the largest volume of wood in a short time period. The Debarking Drums are built under the premises of longest duty time with the smaller energy and maintenance costs. From 30 m<sup>3</sup>/h (sob) till 400 m<sup>3</sup>/h (sob) and from 1 m to 6 m logs long, our Debarkers allow the continuous feeding to the chipping line, of logs bark free till 98% rate.

#### TECHNICAL FEATURES

The main technical characteristics of Drum Debarkers • Very strong conception, apt to the heaviest duty in the woodyard • Device system with standard transport tires • Debarking treatment adjustable of the different kind of wood • Automatic control system of tires air or nitrogen pressure.

#### BENEFITS

• Very long service time • High debarking performance • Low energy consumption • Very low maintenance costs • Design and dimension according the special requirement of the costumer.



MODEL	OVERALL DIMENSIONS mm ***		
	D	L	N° bogies
<b>DDG.32.08-2</b>	Ø3200	8000	2
<b>DDG.32.10-2</b>	Ø3200	10000	2
<b>DDG.32.12-2</b>	Ø3200	12000	2
<b>DDG.32.15-2</b>	Ø3200	15000	2
<b>DDG.42.20-6</b>	Ø4200	20000	6
<b>DDG.42.25-8</b>	Ø4200	25000	8
<b>DDG.46.30-10</b>	Ø4600	30000	10
<b>DDG.45.35-12</b>	Ø4500	35000	12
<b>DDG.50.30-12</b>	Ø5000	30000	12
<b>DDG.50.35-14</b>	Ø5000	35000	14

MODEL	CAPACITY m³/h Sob		POWER kW
	WET	b.d.	
<b>DDG.32.08-2</b>	30	20	60
<b>DDG.32.10-2</b>	40	25	74
<b>DDG.32.12-2</b>	60	30	90
<b>DDG.32.15-2</b>	70	45	110
<b>DDG.42.20-6</b>	150	100	270
<b>DDG.42.25-8</b>	200	120	360
<b>DDG.46.30-10</b>	280	160	450
<b>DDG.45.35-12</b>	350	200	540
<b>DDG.50.30-12</b>	350	210	540
<b>DDG.50.35-14</b>	400	240	630

\*\*\*According to customer needs