

• MDF



## CONTINUOUS WEIGHING SCALE

**BSF**

ACCURATE FLOW METERING OF WOOD FIBRE, ESPECIALLY BEFORE THE GLUE BLENDER

The weighing system is achieved by means of a weighing table inserted in the main frame of the machine, and supported by 4 high precision electronic weight transducers; a digital amplifier/power supplier supplies power to the cells, appropriately filtered and adjusted, and amplifies the signal in proportion to the weight of the fibre.

The software parameters, in particular the tare and full scale values, can be set using the display and keyboard.

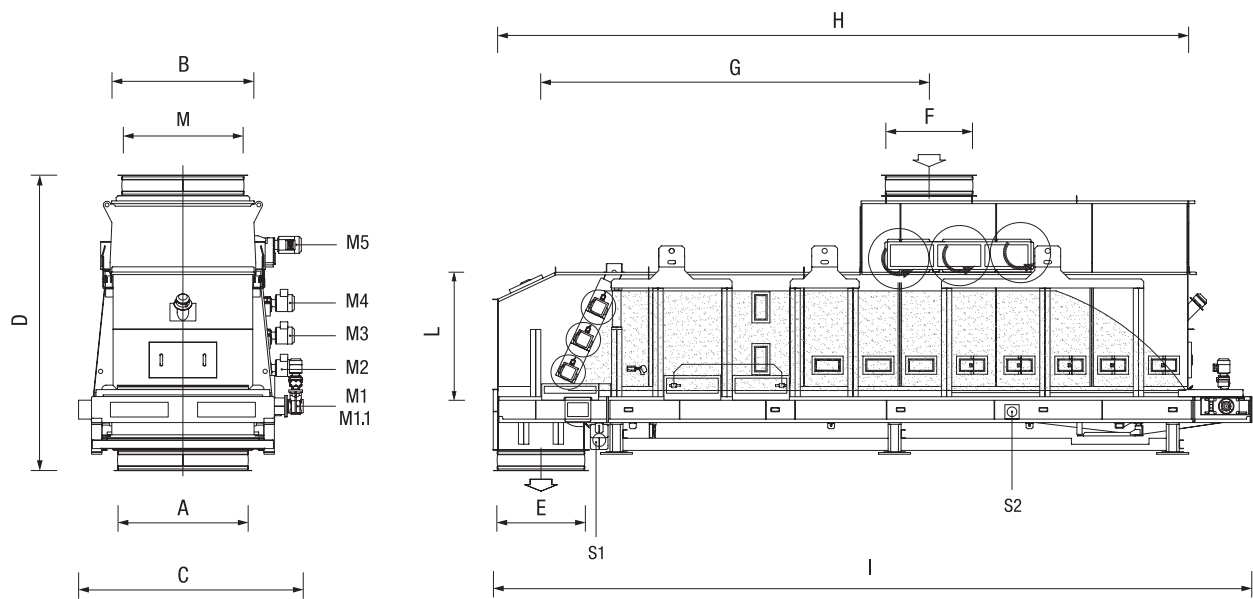
The anti-static belt which has a constant weight per surface unit, is installed on a steel frame, the walls of which are electrically heated and insulated to prevent condensation from forming.

An important feature of the scale is that it is not affected by moderate pressure or negative pressure inside the weighing system, over a range of  $\pm 0.6$  mbar. This is because the weighing table is not mechanically dependent on the scale structure.

Material outlet is regulated by doffing rolls, each with its own motorized shaft, which have the task of metering, opening and distributing the fibre, along the entire width of the outlet.

### MAIN FEATURES

- High precision even with variations in pressure inside the measuring system  $(-1 +0.5$  mbar)
- Inverter driven belt gear motor used to vary conveyor belt speed to maintain a constant fibre mat height
- Automatic belt tracking system
- Balanced drive and driven rollers
- Balanced doffing rolls to fluidise fibre discharge
- Side seals to prevent fibre spillage
- Easy calibration.



MODEL	OVERALL DIMENSIONS mm										
	A	B	C	D	E	F	G	H	I	L	M
<b>BSF 1050</b>	1050	1100	1900	2550	1000	1000	4500	7800	8800	800	900
<b>BSF 1550</b>	1500	1660	2600	3235	1000	1000	4500	8000	8800	1155	1400
<b>BSF 2000</b>	2000	2662	3170	3235	1000	1000	4500	8000	8800	1560	1900

MODEL	MAX THROUGHPUT kg/h	TOTAL SUCTION S1 - S2 m³/h	INSTALLED POWER kW						WEIGHT kg
			M1	M1.1	M2	M3	M4	M5	
<b>BSF 1050</b>	12000	3020	0.25	0.078	1.1	1.1	-	2.2	5620
<b>BSF 1550</b>	20000	3020	0.25	0.078	1.1	1.1	1.1	2.2	6780
<b>BSF 2000</b>	40000	3020	0.25	0.078	1.1	1.1	1.1	2.2	8000