



• PB • OSB • MDF

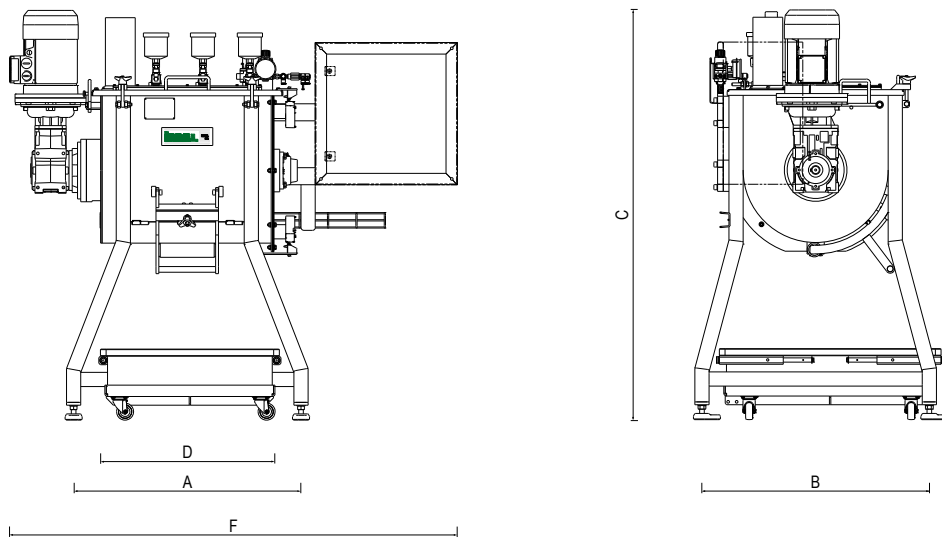


LABORATORY GLUE BLENDER

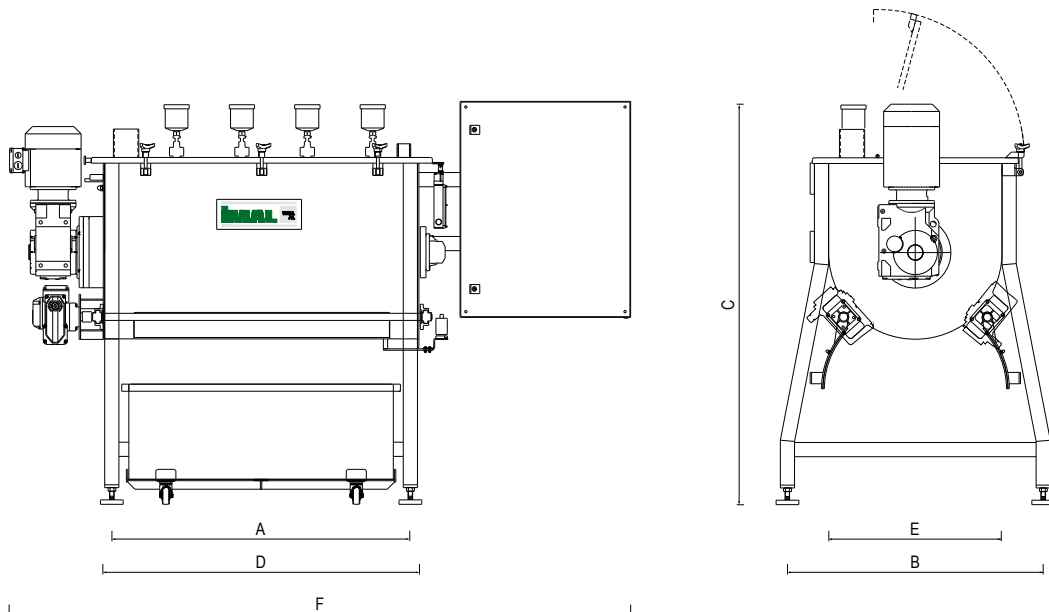
LGB

The glue blender, installed on a metal supporting structure, consists of a suitable sized drum, a top door for manually loading the material, and a bottom door through which the material is discharged. The mixing tools inside the drum are mounted on a shaft which is operated by a gear motor. Pneumatic nozzles spray the glue mixture onto the material. A small graduated tank containing the glue mixture, is situated at the top of the assembly. The glue mixture flows at a variable rate into the blender by means of a manual valve. The machine comes complete with an electric control panel. The mixing time of the shaft may be set using the timer.

LGB100



LGB300



MODEL	MAX. FLOW dm ³	MAX. POWER kW	OVERALL DIMENSIONS mm					
			A	B	C	D	E	F
LGB100	100	3	800	800	1450	605	510	1570
LGB300	300	1.1	1050	900	1450	1100	650	2185