



• OSB



HIGH PRESSURE OSB RESINATION TECHNOLOGY

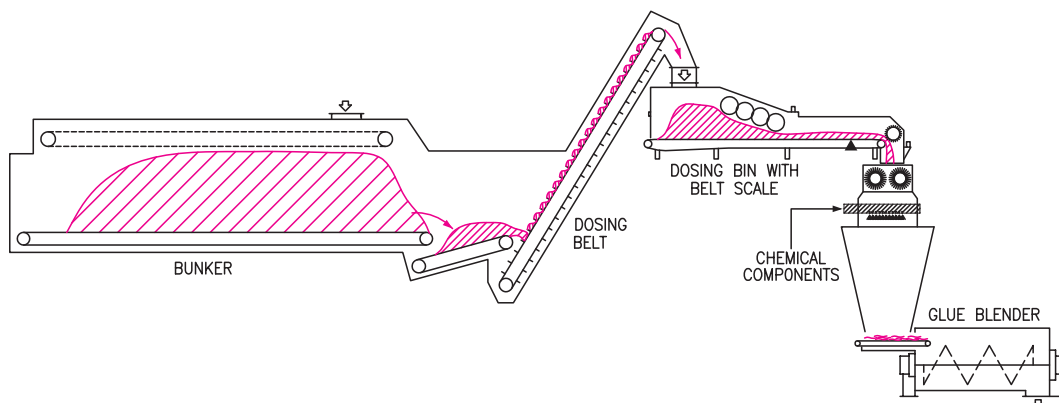
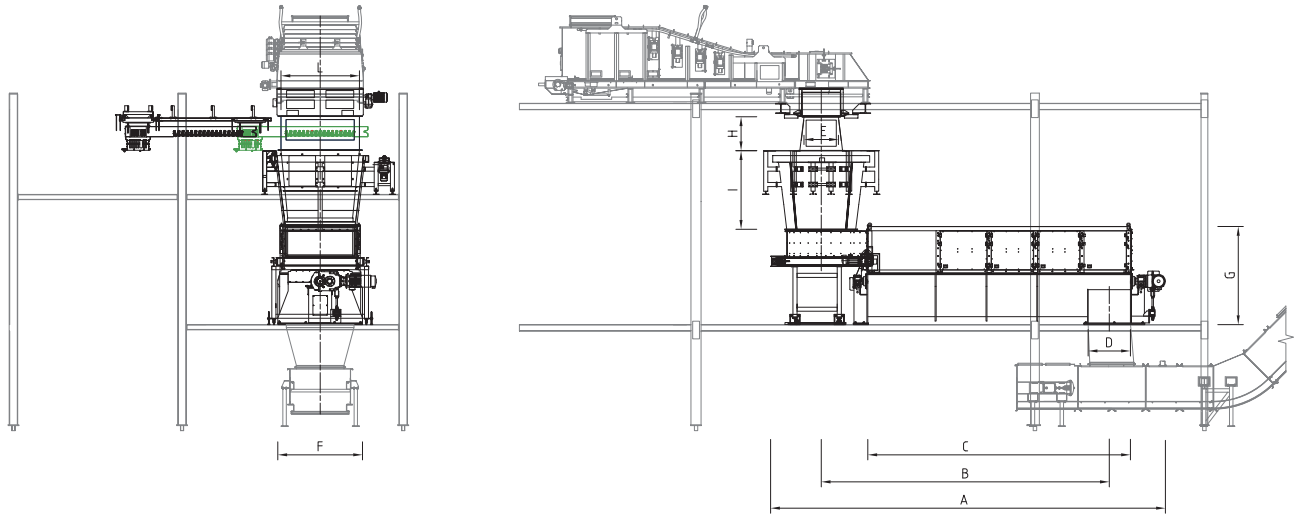
OSB HI-JET (SB)

TO SIGNIFICANTLY REDUCE RESIN CONSUMPTION IN THE MANUFACTURE OF OSB PANELS
AND ACHIEVE OPTIMAL RESIN DISTRIBUTION

IMAL has designed a solution where acceleration rolls, installed at the outfeed to the scale and prior to the blender, create a very fine curtain of strands and the resin (ie. MDI, MUF, PF or MUPF) is then "painted" at high pressure over the strands as they fall inside the chute. During the next phase the strands are mixed and blended by a special mixer with a shaft that rotates at low speed, specially designed to achieve a perfect blend. Additional chemical components can be injected in the blender too.

Advantages achieved with the system:

- Perfect resin distribution and consequent reduction in resin consumption by as much as 20%
- strands do not break and thus generation of fines is eliminated during the blending phase
- Blender and resin injection system are simple and rapid to clean
- the typical problems of the spinning head atomizers mounted inside the blender are eliminated (the spinning heads overheat and generate an active ignition source, the spinning heads get dirty very quickly and have to be washed frequently, the resin is not distributed evenly).



MODEL	OVERALL DIMENSIONS mm									
	A	B	C	D	E	F	G	H	I	L
SB155	9665	6620	6000	1000	1015	2000	2750	1045	2400	2545
SB200	9790	6620	6250	1250	1015	2500	3000	1045	2400	2545

MODEL	MAX. THROUGHPUT kg/h	CHAMBER Max Volume l	INSTALLED POWER kW				WEIGHT kg
			M1	M1.1	M2	2 x M3	
SB155	10000	20000	15	0.043	7.5	5.5	9800
SB200	20000	30000	15	0.043	7.5	5.5	11200