



• PB • OSB/LSB



IMAL
PAL
GROUP

DRY MILLS

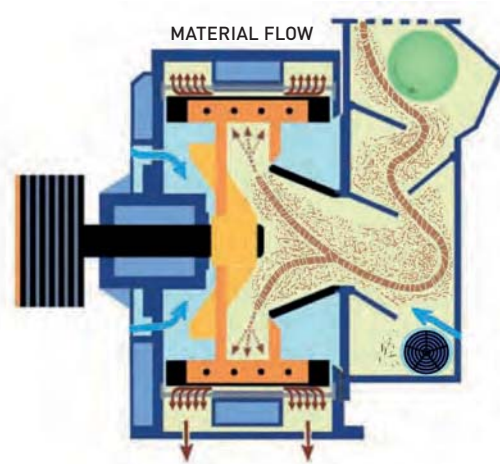
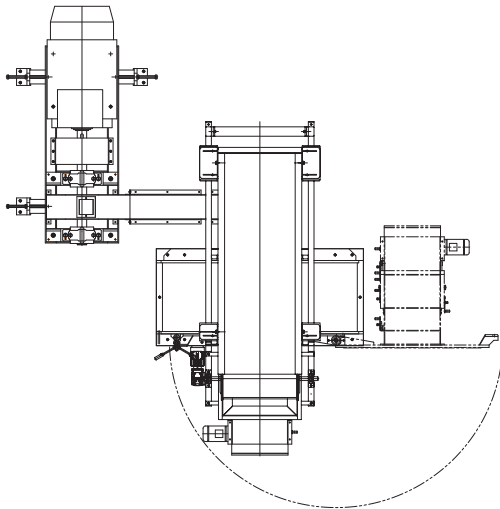
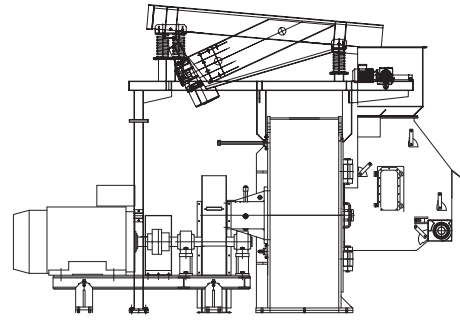
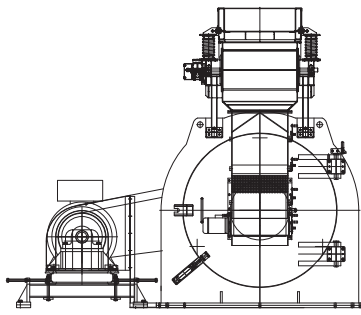
CENTRIFUGAL MILLS – MCG

TECHNICAL FEATURES

• Refining mills for dry flakes suitable for surfaces and core layers in particleboard production or multilayer LSB/OSB product • Equipped with standard screen support ring for Conidor screen of various different hole according to the required particles • Oil lubrication system for main bearings • Feeding door provided with air cleaner to reject heavy pollutants.

BENEFITS

• Fast replacement of the ring screen • Heavy-duty ring construction avoid distortion and oval shaped • Grinding track according to raw material.



MODEL	ROTOR DIAMETER mm	GRINDING SECTORS WIDTH mm	SCREENS WIDTH mm	WEIGHT WITHOUT MAIN MOTOR kg	RECOMMENDED MOTOR kW
MCG 510	1000	225	2 x 160	3000	132/160
MCG 610	1200	225	2 x 193	4000	160/200
MCG 710	1400	265	2 x 210	4700	200/250
MCG 760	1500	288	2 x 223	5700	250/315

