



• MDF • PB • PALLET BLOCKS • PRESSED PALLETS • INS. BOARD • PELLETS • BIOMASS ENERGY



OPTICAL SORTER

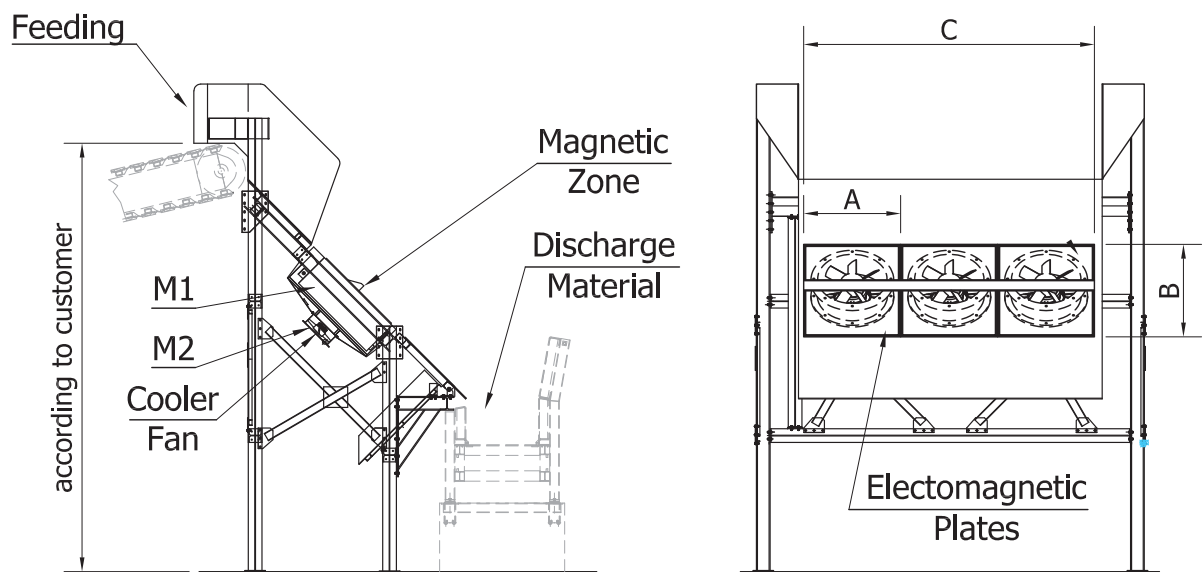
MAGNETIC PLATE – MPG

TECHNICAL FEATURES

- Magnetic field made of magnetic ferrite C8
- Magnetic curve G
- Closing shell made of stainless steel AISI304
- Cooling Fan
- Hydraulic system for plate opening.

BENEFITS

- Perfect decontamination from all magnetic parts
- No kinematic mechanism
- No maintenance cost.



MODEL	OVERALL DIMENSIONS mm ***		
	A	B	C
PE**	1400	1400	A x N° Elect.Plate

MODEL	POWER kW		WEIGHT kg
	M1	M2	Single Elect.Plate
PE**	10	0,63	3850

***According to customer needs

**According to dimensions