



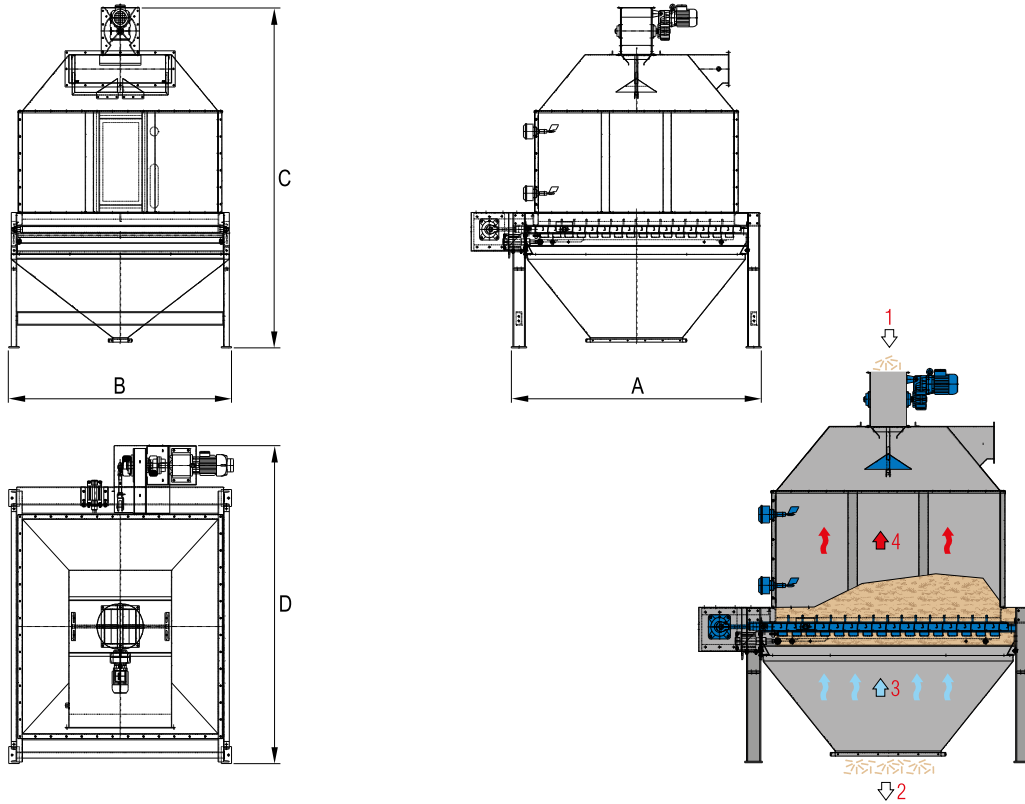
• PELLETS



## PELLET COOLING SYSTEM

Our Cooler refresh the Pellets by using a forced air counter flow.  
Pellet will be dosed inside the machine by a R-Valve who ensure the no dust propagation in the rounding area.  
After the R-Valve the pellet are invested by a perfect countercurrent air flow, dosed by a special flap, well distribute across the machine thanks to the perfect shape of the cooling chamber.  
Pellets flow is controlled inside to the cooling chamber by a triple step grid, one fix, one vibrating and one adjustable.  
This already proved configuration ensure a perfect cooling of the pellets.

Machine is mechanical well done by using 1st quality and international components, made by stainless steel in all the contact point with material and in all the critical point where humidity or wood acidity can rust or wearing.  
Containment body of the machine and support steel structure is made by proper sized mild steel profile.



1 = FEEDING                      3 = COLD AIR  
 2 = DISCHARGE                4 = HOT AIR

MODEL	SURFACE m <sup>2</sup>	t/h		OVERALL DIMENSIONS mm				WEIGHT APPROX. Kg	SURFACE m <sup>3</sup> /h	
		Ø 6	Ø 8	A	B	C	D		Ø 6	Ø 8
<b>PGCC 14X14 RV</b>	2	3	2,5	1920	1650	2460	2300	1150	5000	5000
<b>PGCC 14X19 RV</b>	2.7	5	4	2400	1650	2900	2780	1350	7000	6000
<b>PGCC 19X19 RV</b>	3.6	7	6	2400	2130	3030	2780	1700	10000	9000
<b>PGCC 19X24 RV</b>	4.5	11	9	2880	2130	3690	3260	2150	15000	14000
<b>PGCC 24X24 RV</b>	5.7	15	13	2880	2610	3690	3260	2400	21000	19000
<b>PGCC 24X28 RV</b>	6.8	19	16	3360	2610	4090	3790	3000	26000	24000
<b>PGCC 28X28 RV</b>	8.2	23	19	3360	3090	4060	3790	3400	32000	28000
<b>PGCC 24X38 RV</b>	9.2	25	21	4320	2610	4890	4750	3800	35000	32000
<b>PGCC 28X38 RV</b>	11	30	25	4320	3090	4890	4750	4500	42000	39000
<b>PGCC 38X38 RV</b>	14,5	34	30	4320	4090	4890	4750	5200	46000	44000