



• MDF • PB • PALLET BLOCKS • PRESSED PALLETS • PELLETS • BIOMASS ENERGY



## FEEDERS

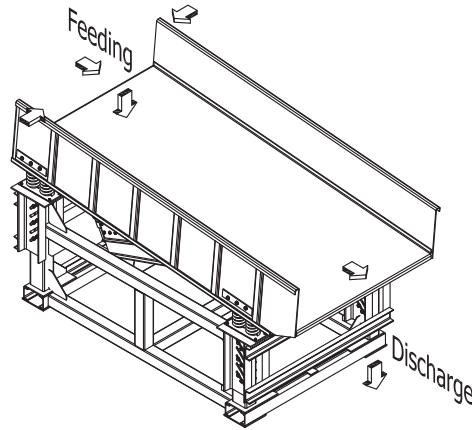
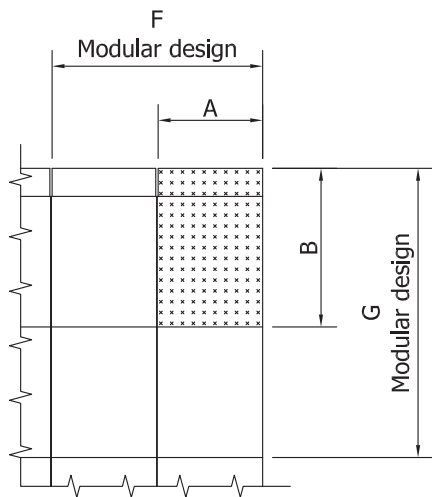
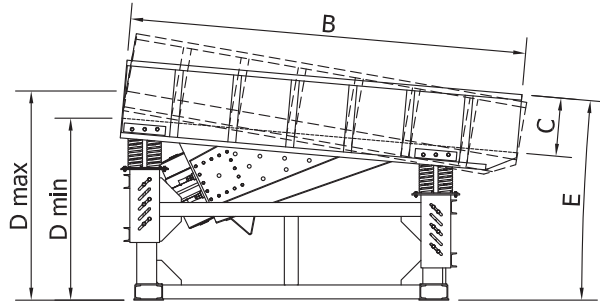
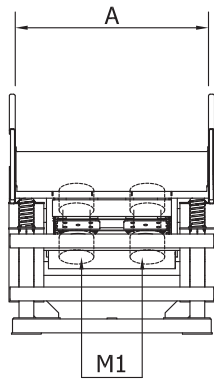
### VIBRATING TABLES – VTG

#### TECHNICAL FEATURES

• Vibrating table is the perfect integration with the following vibrating feeder machines, for a proper wood materials feeding • Modular manufacturing system to feed every single specific requirement • Each module could be equipped with a frontal screen for discharging fine materials such as bark, stone, dust etc • The unidirectional movement is obtained through a couple of motovibrators.

#### BENEFITS

• Excellent feeding and fluidification of any type of raw wood • Minimized energy consumption • Low maintenance cost.



MODEL	OVERALL DIMENSIONS mm***						
	A	B	C	D	E	F	G
VTG**	2000 ÷ 4000	4000 ÷ 4500	500 ÷ 600	1750 ÷ 2000	0° ÷ 10°	A x n°Module	B x n°Module

MODEL	CAPACITY m <sup>3</sup> /h	POWER kW	WEIGHT kg
		M1	
VTG**	***	7,5 ÷ 15	***

\*\*\*According to customer needs

\*\*According to dimensions